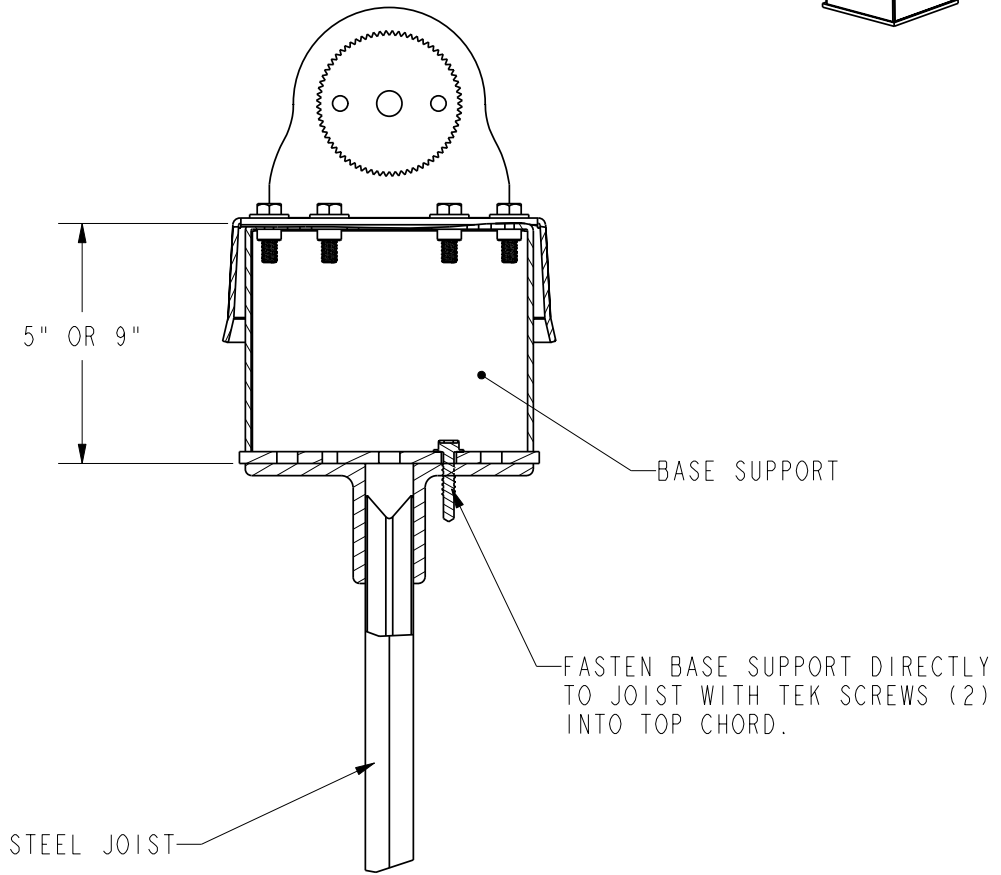
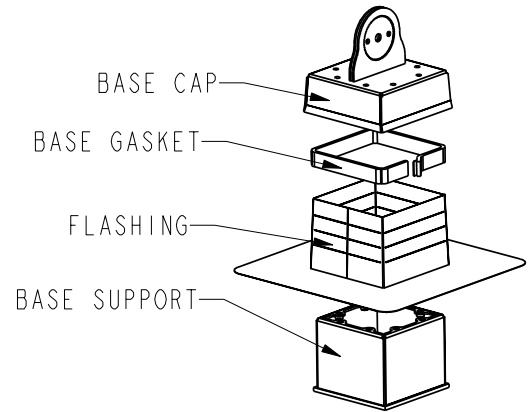




347 CORAL STREET, SANTA CRUZ, CA 95060  
(831) 421-9230



SECTION B-B

SPECIFICATIONS

TITLE SCREW DIRECTLY TO STEEL JOIST  
TYPE 7

CONFIGURATION NAME BXF2T7

SCALE 0.250 DRAWN BY MDH DATE 16-Nov-05