

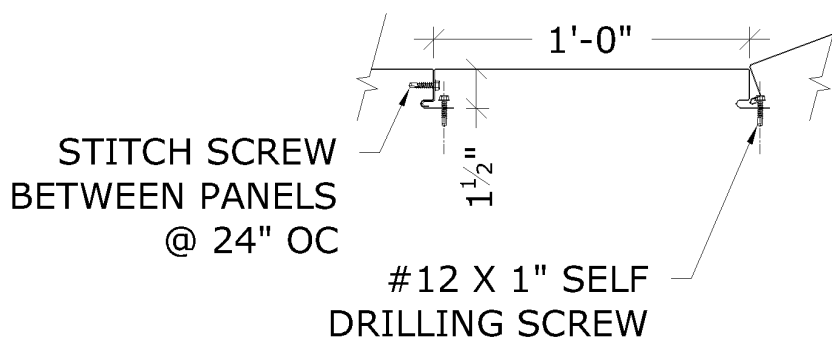
Flush Panel
Updated 11.09.22

www.roofscreen.com

Flush Panel

For a high quality look with minimal shadow lines, the flush panel is an excellent choice. The finish is smooth and the panels lock together with the fasteners concealed in the laps.

- Material: 24ga steel standard, smooth or Stucco Embossed. Other gauges may be available. Available in perforated aluminum.
- Length: Up to 30'. Extra charges may apply for lengths shorter than 4'.
- Finish: Factory applied Kynar.
- Colors: Choose from standard color chart.
- Warranty: 20 years.
- Installation: Lock together with concealed fasteners. Designed primarily for vertical applications. If used horizontally, the panels will not lap end to end, so special backing plates and trim covers must be used.



Oil canning, a slight rippling effect due to expansion and contraction, is an inherent property of flat metal products and is not a cause for rejection. Non ribbed style panels are particularly vulnerable to oil canning. Please see our technical bulletin titled, "Oil Canning" at https://www.roofscreen.com/mediafiles/download_downloads/112_RoofScreen_Oil-Canning_Bulletin.pdf