



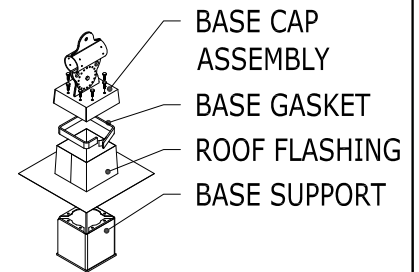
DRAWN BY: MT

ROOFSCREEN MFG., INC.  
347 CORAL STREET  
SANTA CRUZ, CA 95060

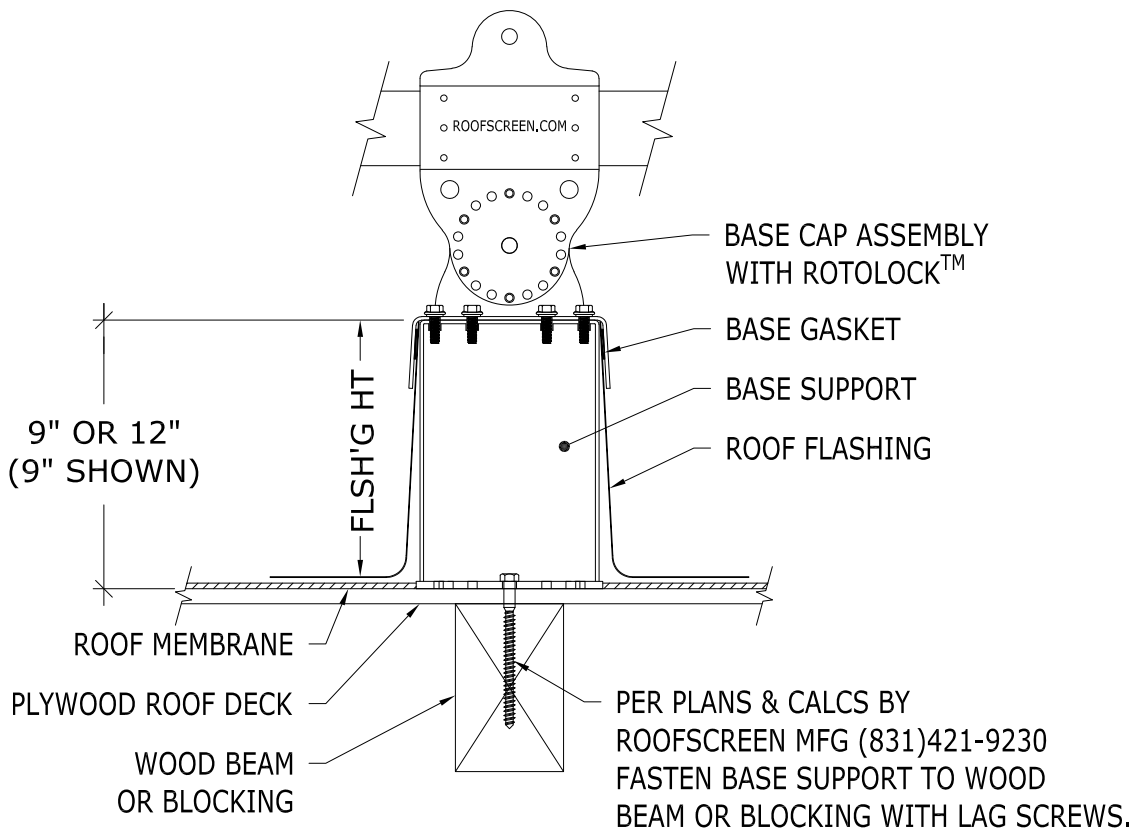
PRINT DATE: 11/10/2016

REV. DATE: 11/10/2016

SCALE: NTS



EXPLODED VIEW



PLYWOOD OVER WOOD FRAMING  
LAG SCREW ATTACH - NO INSULATION - NO EXTENSION



DRAWN BY:

MT

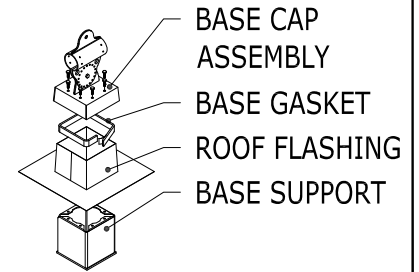
ROOFSCREEN MFG., INC.  
347 CORAL STREET  
SANTA CRUZ, CA 95060

PRINT DATE: 11/10/2016

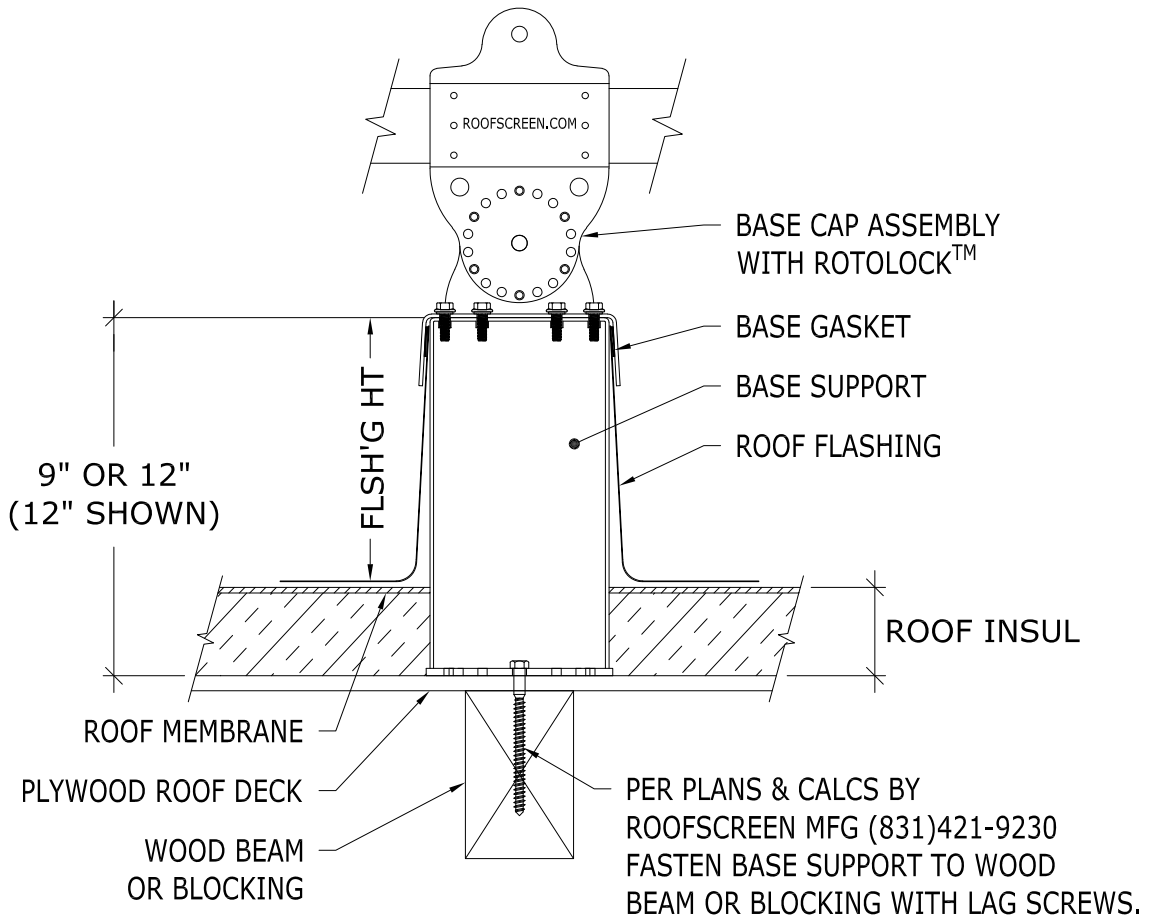
REV. DATE: 11/10/2016

SCALE:

NTS



EXPLODED VIEW



PLYWOOD OVER WOOD FRAMING  
LAG SCREW ATTACH - WITH INSULATION - NO EXTENSION

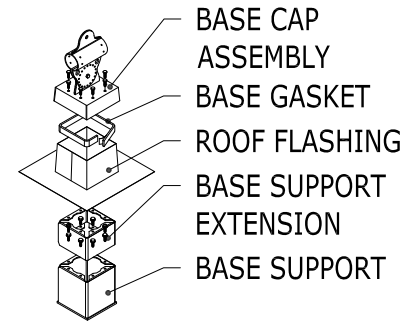
ROOFSCREEN MFG., INC.  
 347 CORAL STREET  
 SANTA CRUZ, CA 95060

PRINT DATE: 11/10/2016

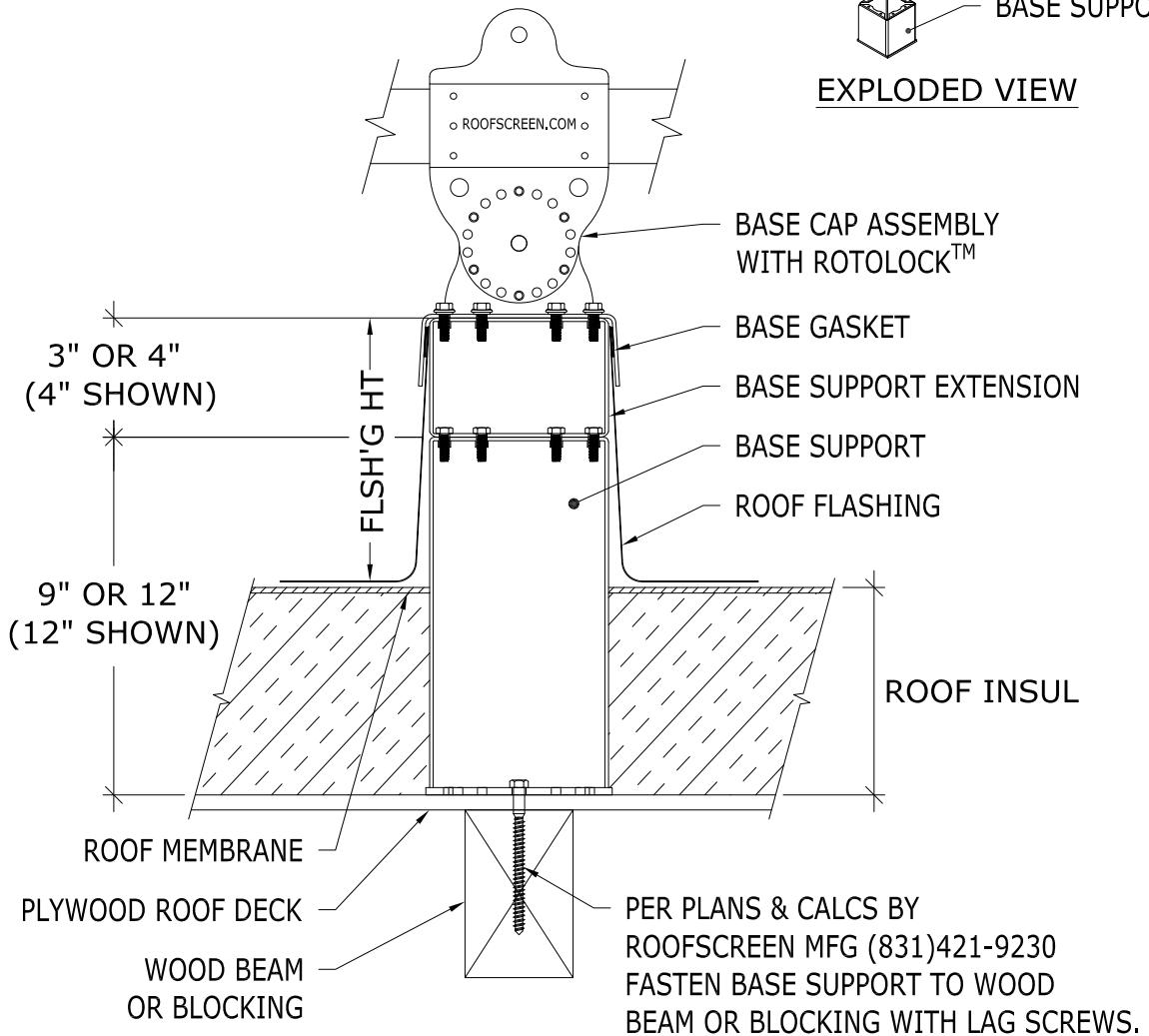
REV. DATE: 11/10/2016

SCALE:

NTS



EXPLODED VIEW



PLYWOOD OVER WOOD FRAMING  
 LAG SCREW ATTACH - WITH INSULATION - WITH EXTENSION



DRAWN BY:

MT

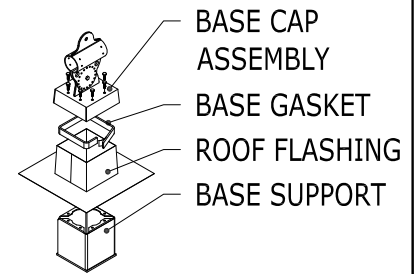
ROOFSCREEN MFG., INC.  
347 CORAL STREET  
SANTA CRUZ, CA 95060

PRINT DATE: 11/10/2016

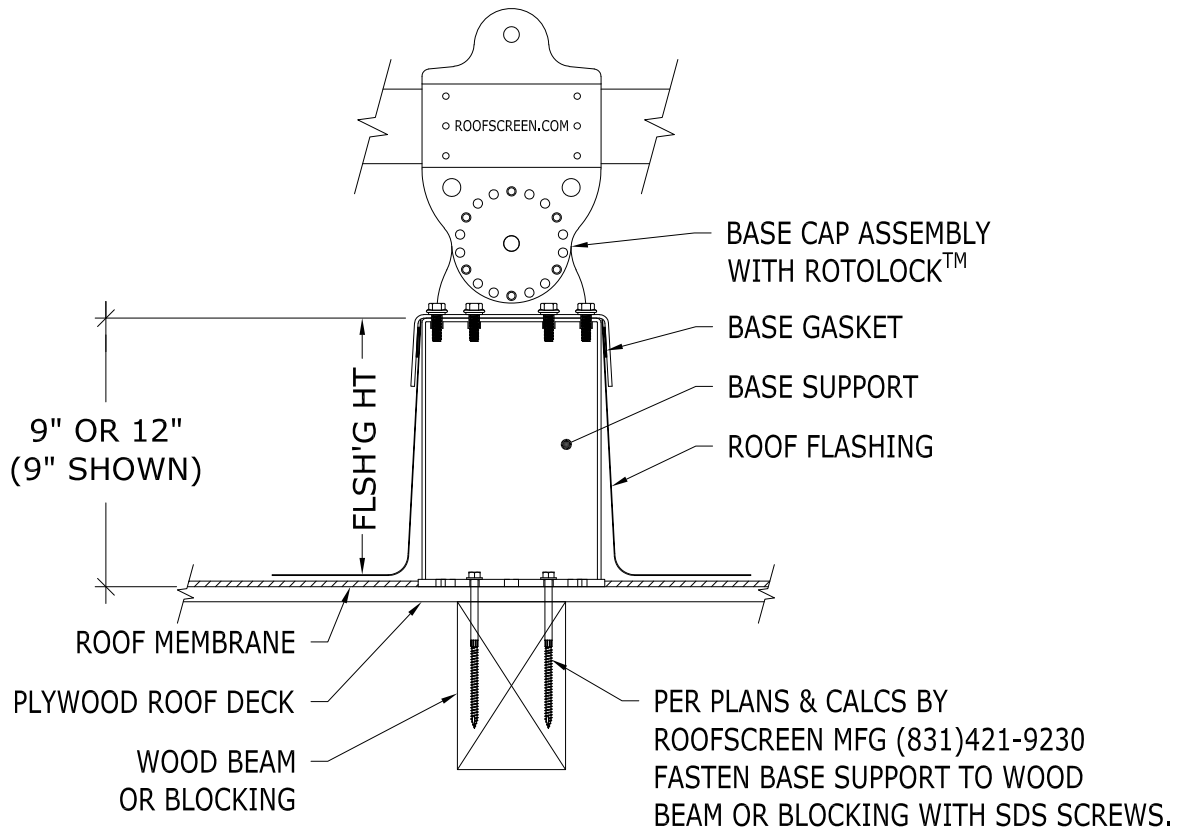
REV. DATE: 11/10/2016

SCALE:

NTS



EXPLODED VIEW



PLYWOOD OVER WOOD FRAMING  
SDS SCREW ATTACH - NO INSULATION - NO EXTENSION



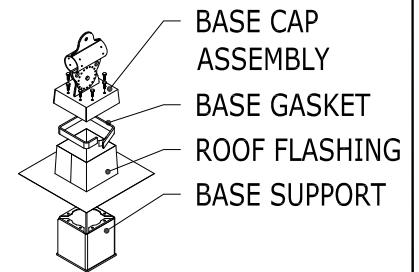
DRAWN BY: MT

ROOFSCREEN MFG., INC.  
347 CORAL STREET  
SANTA CRUZ, CA 95060

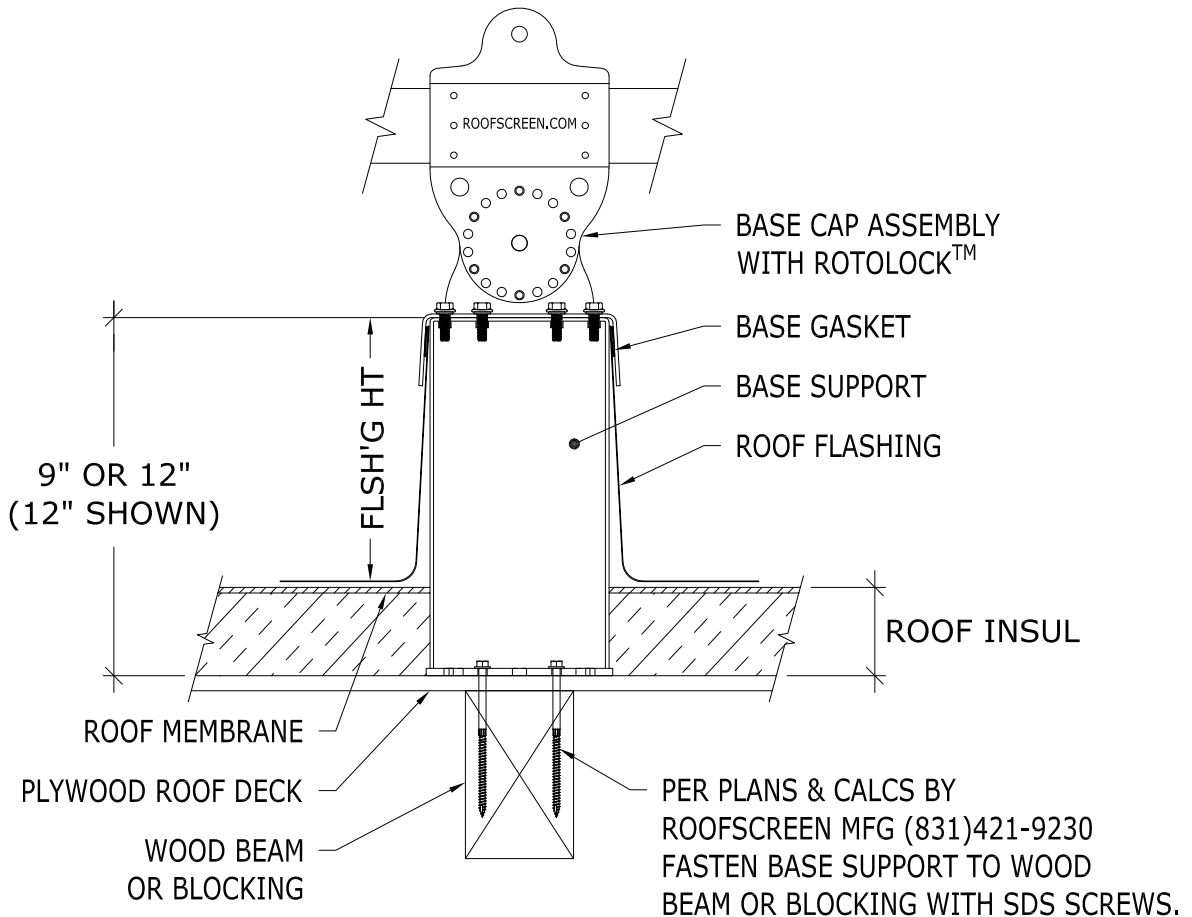
PRINT DATE: 11/10/2016

REV. DATE: 11/10/2016

SCALE: NTS



EXPLODED VIEW



**PLYWOOD OVER WOOD FRAMING**  
SDS SCREW ATTACH - WITH INSULATION - NO EXTENSION

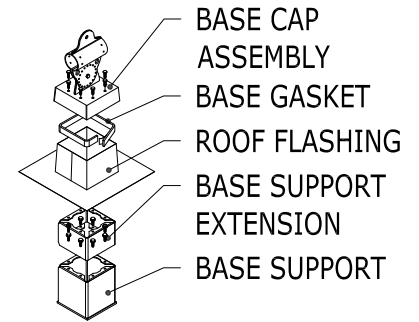
ROOFSCREEN MFG., INC.  
347 CORAL STREET  
SANTA CRUZ, CA 95060

PRINT DATE: 11/10/2016

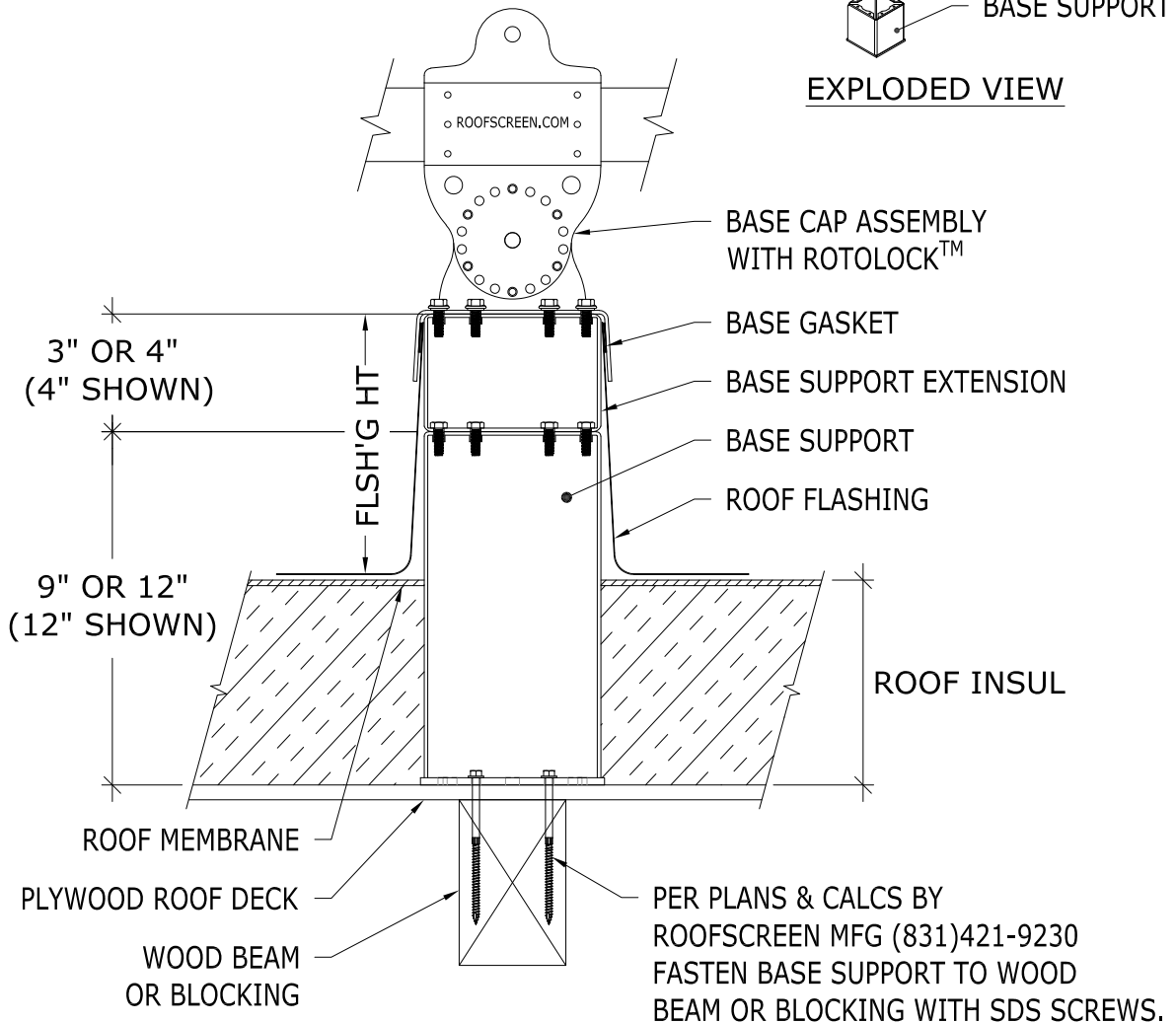
REV. DATE: 11/10/2016

SCALE:

NTS



EXPLODED VIEW



PLYWOOD OVER WOOD FRAMING  
SDS SCREW ATTACH - WITH INSULATION - WITH EXTENSION