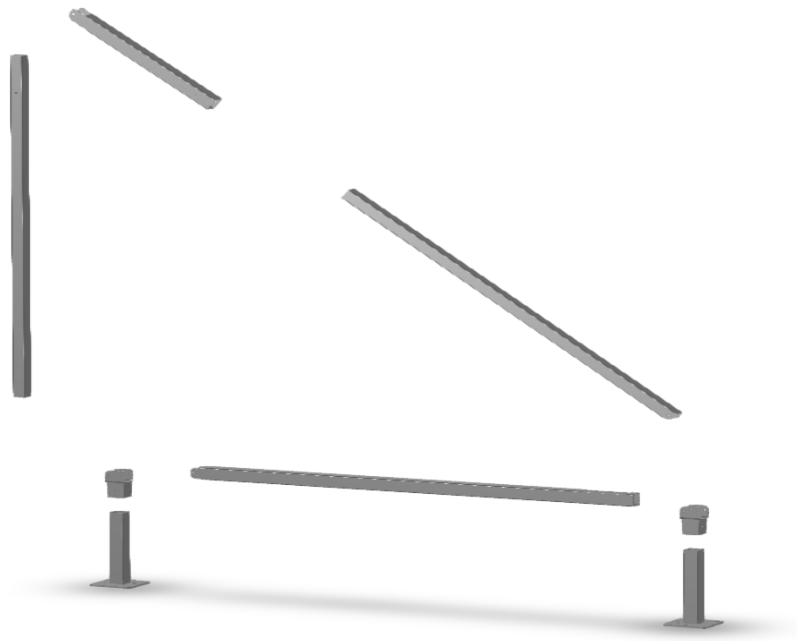


# ROOFSCREEN LT™ QUICKSTART GUIDE

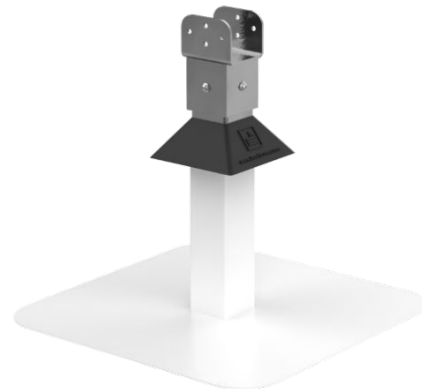
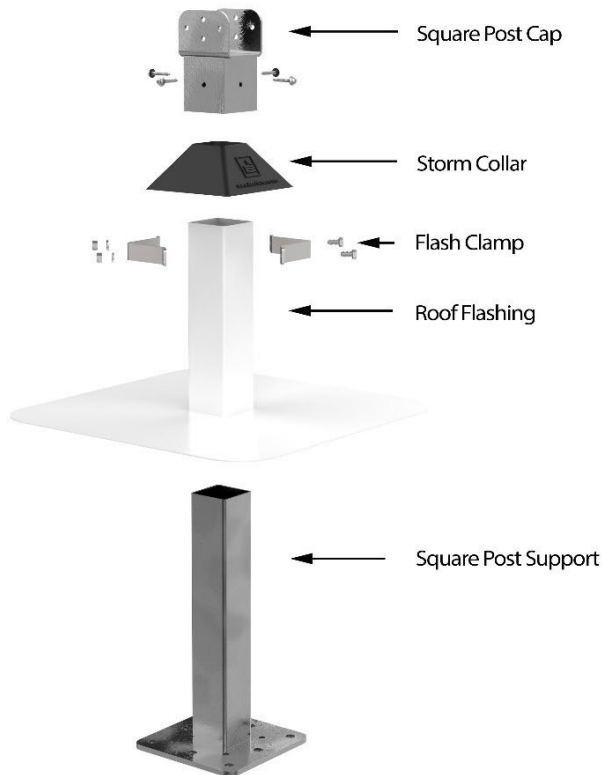
## PLEASE READ THE FOLLOWING BEFORE BEGINNING INSTALLATION:

- This guide is **NOT** a substitution for the full Installation Manual. This document provides a general overview of the RoofScreen LT Frame assembly process. For detailed instructions for each step refer to your Installation Manual.
- This guide does not cover hat/girt/panel installation. Consult your full Installation Manual for instructions pertaining to these steps.
- Each segment of this guide contains a page number correlating to full instructions in the Installation Manual, be sure to reference them.
- There are many variables that make each project unique, and it would be impossible to cover all of them in this guide. Please refer to the full Installation Manual and your Shop Drawings for detailed and project specific instructions.
- Frame configurations are based on engineering calculations and should be followed exactly. If any parameters cannot be followed, please contact us at 831-421-9230 for assistance.



# BASE SUPPORT INSTALLATION:

## Square Post Supports (pg. 9-11)



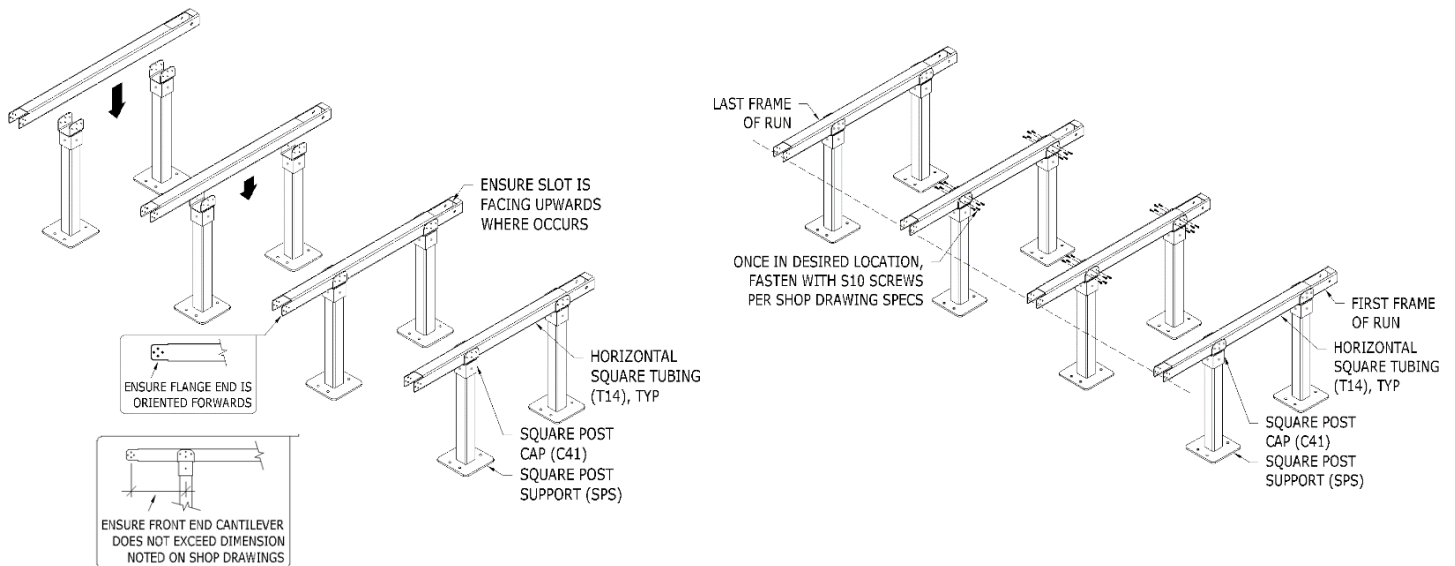
**1)** Install Square Post Supports following the layout and attachment hardware specifications detailed in your shop drawings. Post Supports should be installed in a relatively straight line. The level of installation accuracy required for frame alignment depends on the details of your specific project.

**2)** Have a qualified professional roofing contractor install the flashings over the Square Post Supports and roof them in with appropriate methods for the type of roofing system being used.

Terminate and seal the flashings to the Square Post Supports using caulking, our square FlashClamp and Storm Collar, then attach the Square Post Caps.

# FRAME ASSEMBLY:

## Horizontal Tube to Square Post Supports (pg. 13-15)



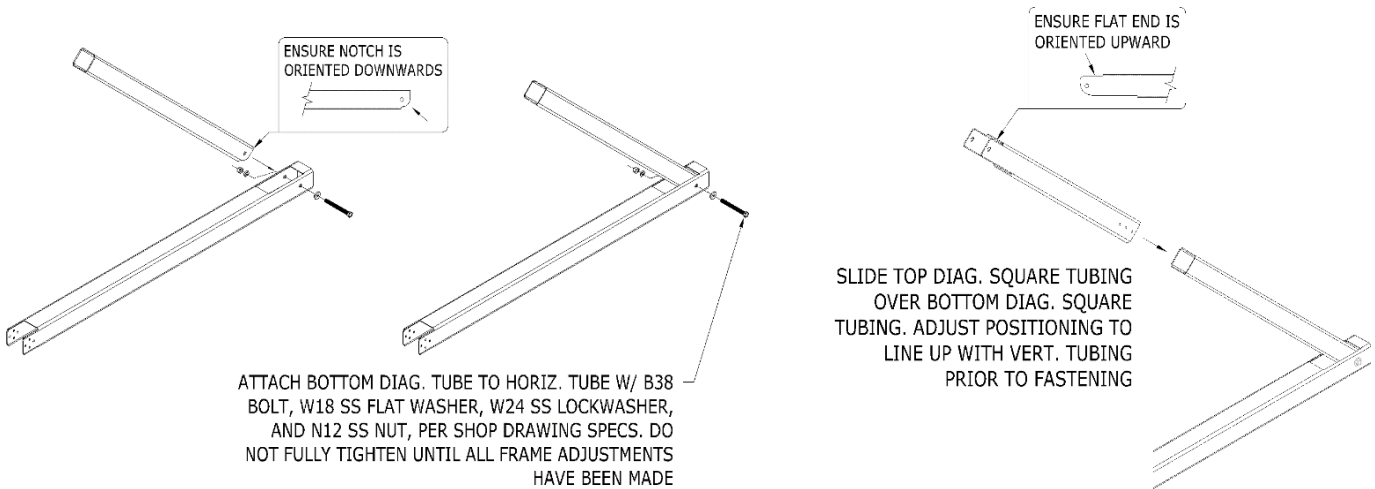
**3)** Slide the Horizontal Tube into the Square Post Caps to span the front and rear Square Post Supports. Ensure the flanged end of the Horizontal Tube is facing the front of the frame so it can attach to the vertical tube member in a later step.

Before securing the horizontal tube to the Square Post Supports, adjust the front-end cantilever to ensure the screen wall is straight when complete. Do not exceed the front end cantilever dimension shown in your shop drawings.

**4)** Once the cantilever has been properly adjusted, install Self-Drilling Tek Screws in each Square Post Cap to secure the Horizontal Tube. Refer to your shop drawings for the correct quantity and location of required screws.

# FRAME ASSEMBLY CONTINUED:

## Diagonal Tubes (pg. 16-17)



5) Most LT frames contain a slot towards the end of the Horizontal Tube to slide the Lower Diagonal Tube into. This allows the predrilled holes in both the Horizontal and Bottom Diagonal Tubes to align for the stainless steel (SS) bolt to insert into.

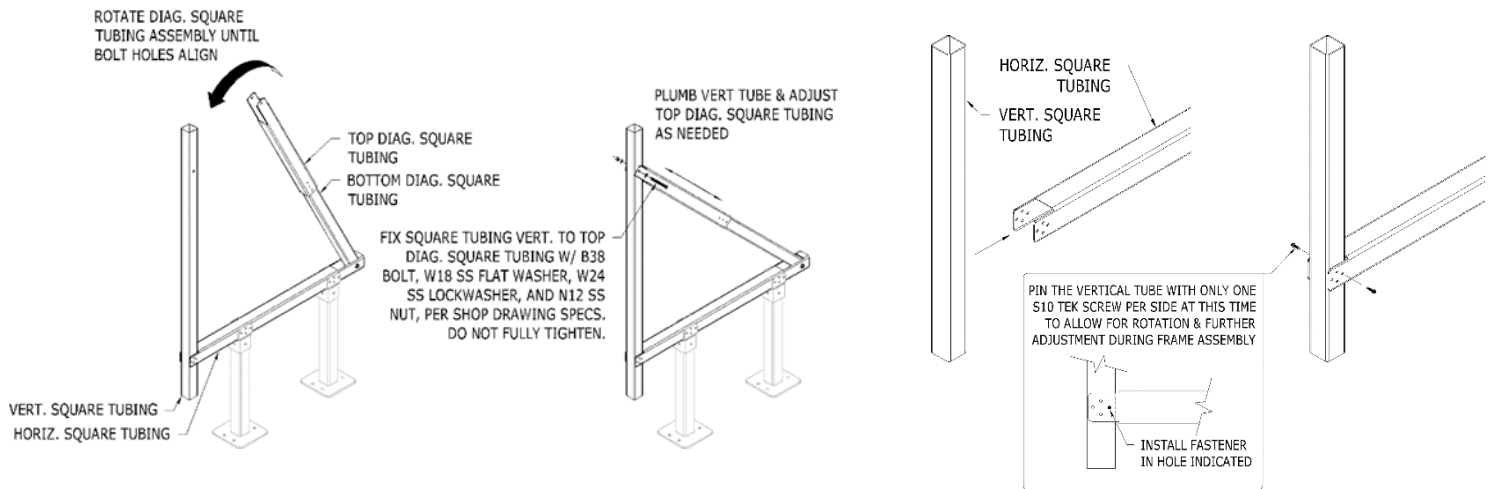
When installing the bolt, washer and nut **DO NOT** fully tighten. This will allow for adjustability at a later step. If your LT frames do not contain this slot, please consult your full installation manual.

6) The Top Diagonal Tube connects the Bottom Diagonal Tube to the Vertical Tube while serving as an adjustment point to ensure plumbness of the vertical tube member.

Attaching the Top Diagonal Tube is a two-step process that will be completed in a later step. In this step, slide the Top Diagonal over the Bottom Diagonal Tube (without fastening Tekes) and move on to the next step.

# FRAME ASSEMBLY CONTINUED:

## Installing Vertical Tubes (pg. 18-19)



7) The top of the Vertical Tube contains a predrilled hole, ensure this end is orientated upward.

Align the flanged end of the unfastened Top Diagonal Tube with the pre-drilled hole on the top of the Vertical Tube. Secure with the SS bolt, lock washer and nut. **Do not fully tighten.**

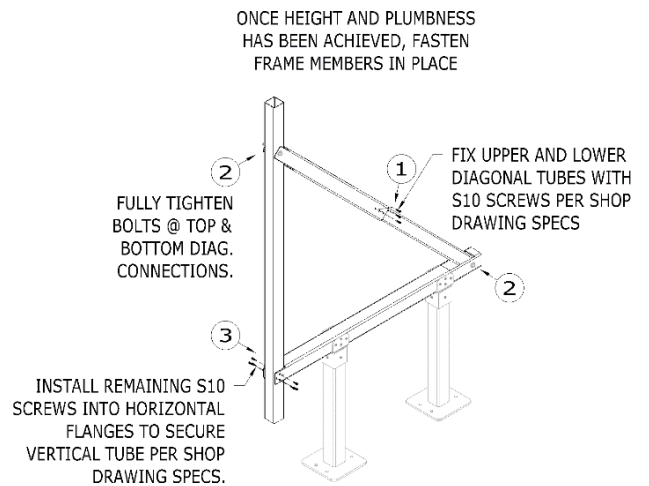
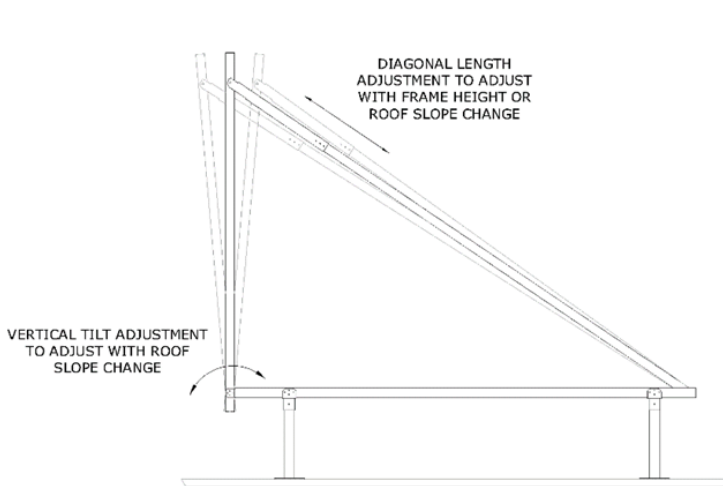
Prior to securing the Vertical Tube to the Horizontal Tube with Tek screws, adjustments can be made to achieve the correct frame height. The Diagonal Assembly can be lengthened, shortened and can pivot on the bolted locations to adjust the height of the Vertical Tube. As roof slope changes, it is important to ensure the top of the screen is even along the entire screen wall.

8) Once height adjustments have been made, fasten the Vertical Tube using the predrilled holes in the flanged horizontal tube.

**IMPORTANT:** Use only one (1) Tek Screw per side in this step for a total of two (2) Tek's. Each Tek should be installed into mirrored holes. This will allow adjustment for plumb as we continue assembly.

# FRAME ASSEMBLY CONTINUED:

## Completing Installation (pg. 20-21)



**9)** Once the Diagonal Assembly has been secured to the Vertical Member with the provided bolt kit (but not fully tightened), adjustments can be made to achieve the correct front-end tilt.

Before fully tightening the two SS bolts, ensure the frame is plumb. This is done by using a level against the Vertical Tube.

**10)** Once the desired height and plumbness has been achieved, install the Tek screws that fix the Upper Diagonal Tube to the Lower Diagonal Tube (1).

Next, fully tighten the bolts in the Bottom Diagonal to Horizontal connection and the Top Diagonal to Vertical connection (2).

Finally, install the remaining Tek screws in the Horizontal Flanges to fully secure the Vertical Tube (3).

