



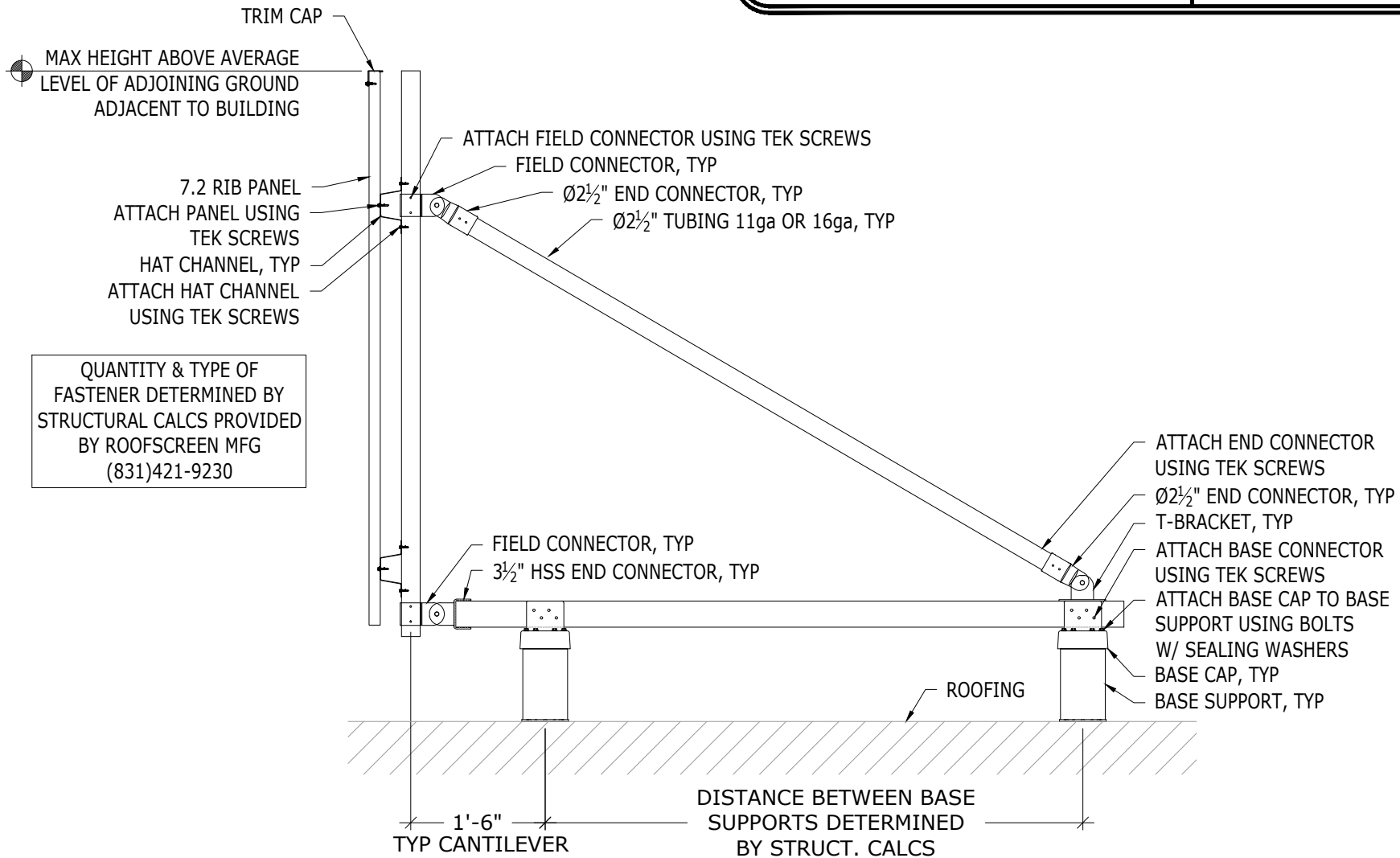
DRAWN BY: SS

ROOFSCREEN MFG., INC.
347 CORAL STREET
SANTA CRUZ, CA 95060

PRINT DATE: 12/07/23

REV. DATE:

SCALE: NTS



ROOFSCREEN SC3 HYBRID FRAME



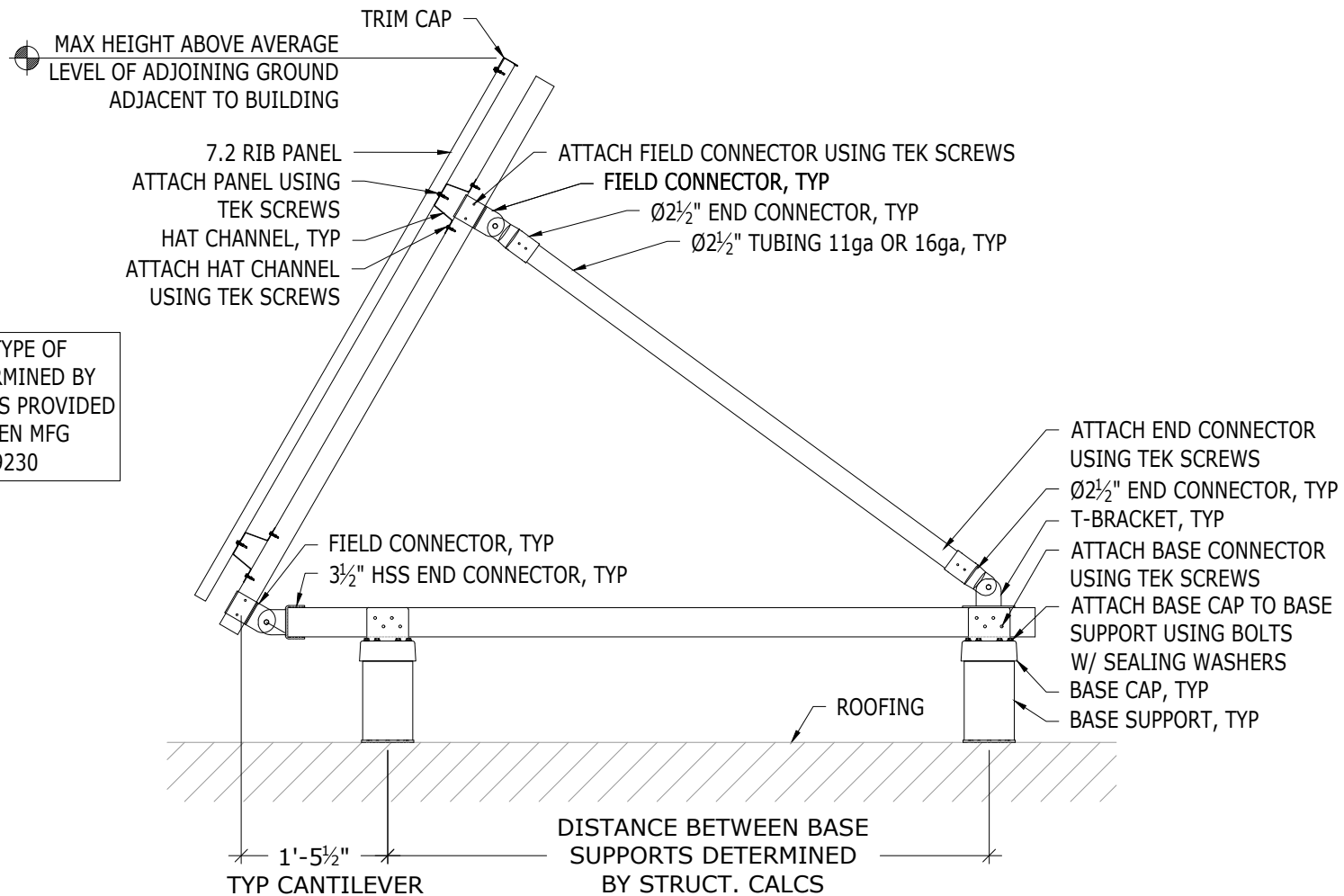
DRAWN BY: SS

ROOFSCREEN MFG., INC.
347 CORAL STREET
SANTA CRUZ, CA 95060

PRINT DATE: 12/07/23

REV. DATE:

SCALE: NTS



QUANTITY & TYPE OF FASTENER DETERMINED BY STRUCTURAL CALCS PROVIDED BY ROOFSCREEN MFG (831)421-9230

ROOFSCREEN SC3 HYBRID FRAME