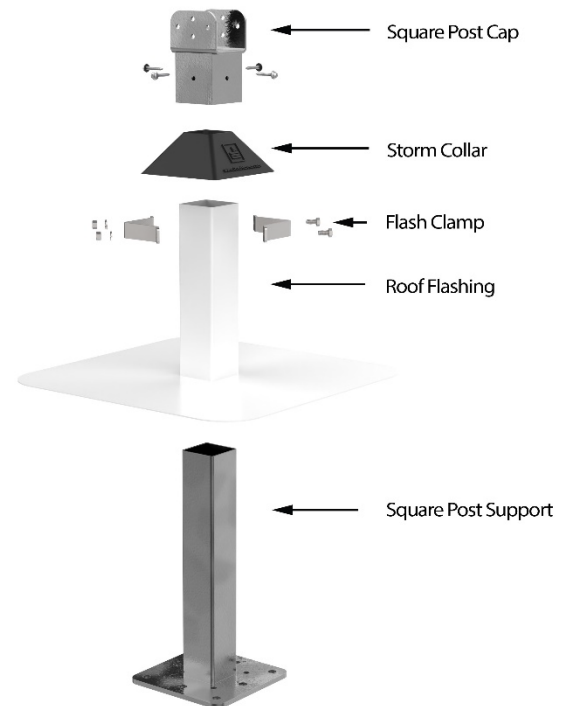


## Square Post Roof Attachment System

### Description:

RoofScreen's Square Post Roof Attachment System provides a watertight structural mounting point for multiple uses on commercial rooftops. It is designed primarily for equipment screen walls however, it is also useful for any kind of framing or equipment mounted to a roof.


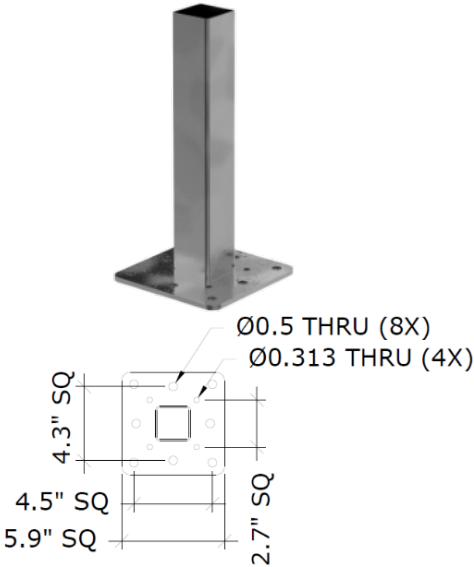
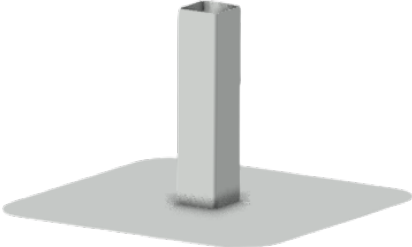


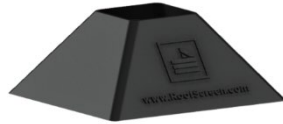




### Application:

This attachment system is designed for commercial roof structures and is suitable for mounting equipment screens, equipment platforms, roof walkways and crossovers, solar arrays or any other type of rooftop structure that needs to be secure and watertight. The Square Post Supports are fastened to the roof structural members through pre-punched holes in the plate using lag screws, self-drilling tek screws, concrete anchors or through-bolts.

Square Post attachments utilize square flashings for waterproofing. A Flash Clamp and caulk are used to seal the flashing to the post. Caulking is applied between the flashing and the square tube, then secured with the Flash Clamp. Caulking is then applied around the top of the flashing for added protection. To protect the caulking from weather, a tight-fitting EPDM rubber storm collar is fitted over the square tube above the clamped connection.

# PRODUCT DATA SHEET

Components	
<p><b>Square Post Cap:</b> Saddle: AISI Type 304 Stainless Steel. Connective tube: AISI Type 304 Stainless Steel.</p>	
<p><b>Square Post Support:</b> Tube: Galvanized steel 50ksi (ASTM A653). Height: 12". Base Plate: Steel (ASTM A36).</p> <p>Note: Typical dimensions are illustrated in this sketch. Custom dimensions are provided as necessary to meet project requirements.</p>	
<p><b>Square Flashing:</b> RoofScreen Mfg. can supply the appropriate flashing, or they may be sourced elsewhere. Flashings available from RoofScreen are 12" tall and can be supplied in TPO, 4lb Lead or PVC.</p>	

Components	
<p><b>Storm Collar:</b> RoofScreen Mfg. can supply the flexible EDPM Square Storm Collar.</p>	
<p><b>Flash Clamp:</b> Flash Clamps available from RoofScreen Mfg. are Stainless Steel.</p>	
<p><b>Bolt and Nut with Lock Washer:</b> Used for fastening Flash Clamp. Bolt Length: 3/4" Bolt Material: Stainless steel. Head: 1/4" Hex bolt Nut Material: Stainless Steel Washer Material: Stainless Steel</p>	
<p><b>Tek3 SDS with Sealing Washer:</b> Used for fastening the Square Post Cap to Post Support. Length: 1" Screw Size: #12-14 Material: Carbon steel with premium coating. Head: 5/16" HWH.</p>	
<p><b>Tek5 SDS Pan Head Screw:</b> Used for connecting tube frame members. Length: 1 1/4" Screw Size: #12-24 Material: Carbon steel with premium coating. Head: .10" thick pan – square drive.</p>	

**Installation:**

Square Post Supports should be mounted directly to the structural members in the roof framing. To prevent condensation, the inside of the Post Supports should be filled with unfaced batt insulation. If a thermal barrier is required at the roof connection, a layer of self-adhering ice and water shield material should be applied under the Post Supports. Spacing between posts, fastener quantity and fastener type will be specified in the project engineering calculations.

Next, Flashings should be installed and integrated into the roofing system by a professional roofing contractor. The flashings should also be sealed to the Post with caulking, Flash Clamp and Storm Collar. Finally, the Square Post Caps are installed and fastened to the post using Tek3 screws with sealing washers to finish the assembly.

**Warranty:**

When RoofScreen provides project design and engineering calculations, a 20-year limited warranty is included.