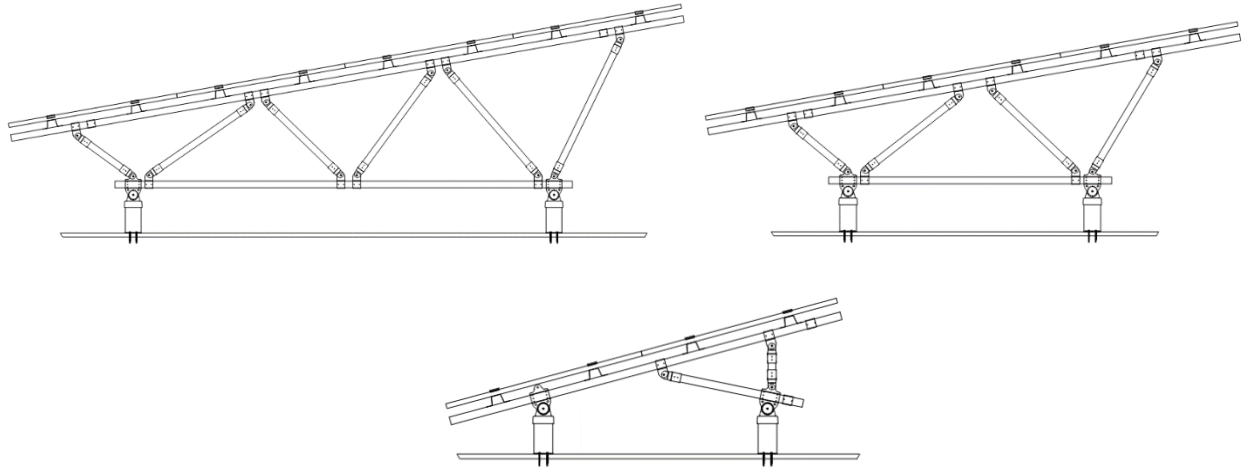


Silverback Solar S-Series
Updated 06.21.2024

www.roofscreen.com

Silverback Solar® S-Series™ Solar Racking

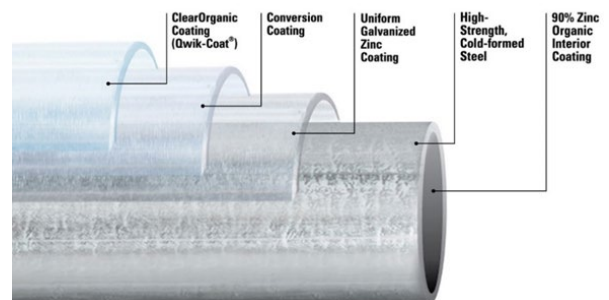


Description:

Our S-Series Solar Racking System is big, strong and capable of spanning long distances between attachment points. With hundreds of configurations possible, and the ability to elevate the frames above rooftop equipment, these PV racks solve problems and make it easy to put solar on roofs you never thought possible.

Tubing Materials:

- High-strength Gatorshield Galvanized Steel Tubing. Superior corrosion resistance with triple layer of protection conforming to the highest standards of ASTM A1057.
- 2.5" O.D., 16ga and 11ga.
- Minimum 50 ksi yield and 55 ksi tensile.



Connector Fittings:

- Formed from AISI Type 304 Stainless Steel.
- Mill finish.



PRODUCT DATA SHEET

Silverback Solar S-Series
Updated 06.21.2024

www.roofscreen.com

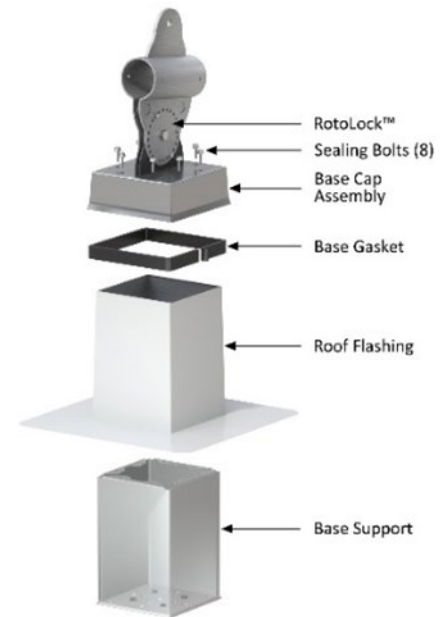
Hardware:

- Nuts and bolts used for connectors are corrosion resistant 18-8 stainless steel.
- Tek Screws and Sealing Bolts are carbon steel with premium coating.

Roof Connections:

The Silverback Solar® S-Series Rack connects to the roof via our Square Base Supports.

- RoofScreen's Square Base Roof Attachment System.
- Welded steel Base Support.
- Flashing boot matching roof type.
- Foam rubber gasket for added protection from ice and splashing water.
- Stainless steel Base Cap with integral counter-flashing.



Application:

Silverback Solar® S-Series Racking Systems are designed to accommodate any type of PV module in landscape or portrait orientation. This system is ideal for moderate to low slope commercial roofs. With hundreds of configurations possible, and the ability to elevate the frames above rooftop equipment, these PV racks solve problems and make it easy to put solar on roofs you never thought possible.

Structural Notes:

The modular design allows the frame configuration and spacing to be adapted to any wind load. The Square Base Support system is adjustable for roof slope and features our RotoLock™ mechanism which allows it to be locked together after adjustment, creating a moment absorbing connection and reducing the torque that would otherwise be transferred into the roof structure.

All projects require analysis and calculations by a licensed professional engineer to ensure the design is appropriate for the specific conditions that apply.

Installation:

For typical Silverback Solar® projects, the frame tubes are delivered pre-cut based on the dimensions of the tallest frame on the project. Depending on the amount of roof slope, some tubes may require field trimming during installation. The installation consists of connecting the tubes together, adjusting for levelness then locking them together with self-drilling tek screws and through bolts. A full installation manual is available, and most projects include full shop drawings showing project specific details.

Warranty:

When the system is designed and engineered by RoofScreen Mfg., we include a 20-year limited warranty.