

DryCap Sleeper Cap System
Updated 08.26.2024

www.roofscreen.com



DryCap™ Sleeper Cap System

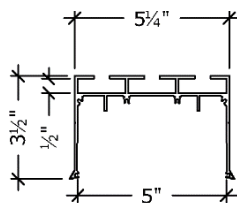
Description:

DryCap™ is a watertight, structural sleeper cap system designed to cover wood or steel sleepers and curb rails. Equipment can be mounted and attached to the T-slots on the DryCap™ without penetrating the watertight barrier.

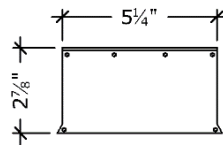


Materials:

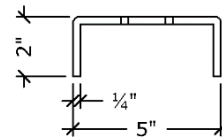
- Cap: .100" thick extruded aluminum, ASTM B 209, Alloy 6063-T6.
- Steel Cleat: ¼" thick steel, powder coated with polyester polyurethane primer finish, ASTM A36.
- Aluminum Cleat: ¼" thick extruded aluminum, ASTM B 209, Alloy 6063-T6.
- End Caps: .100" aluminum sheet
- Fasteners, Cleats to wood: Simpson SDS Wood Screws
- Fasteners, Cleats to steel: #12 T3 SDS
- Fasteners, Cap to Cleat: ¼" x ½" SS Thread Cutting Screws



DRYCAP™



END CAP



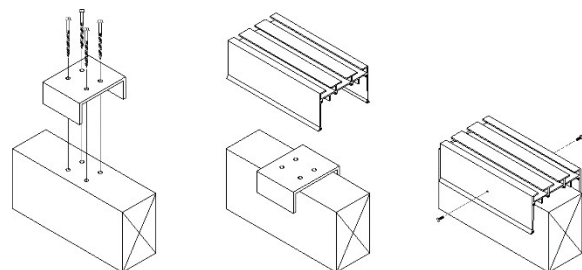
CLEAT

Application:

DryCap™ covers are useful on commercial rooftops where wood or steel sleepers, also referred to as curb rails, are used to support equipment. The DryCap™ is designed to fit 4x lumber with room on each side for roofing materials. Any type of equipment, such as HVAC units, equipment screens and solar arrays can be mounted to the DryCap™ System using bolts, washers and brackets in the upper T-slots.

Installation:

Cleats are first attached to the sleepers with the appropriate fasteners. Cleats should be placed where concentrated loads are anticipated or as specified by an engineer if applicable. The DryCap™ drops over the cleats with the internal stop tabs seating against the tops of the cleats. Holes are drilled through the side legs of the DryCap™ into the cleats, and self-tapping screws are inserted. Install the end caps by applying a small bead of sealant around the edges and placing it on the end of the DryCap™. Insert drive screws in each hole and gently tap them in with a hammer until the end cap is seated. Wipe off excess sealant.



PRODUCT DATA SHEET

DryCap Sleeper Cap System
Updated 08.26.2024

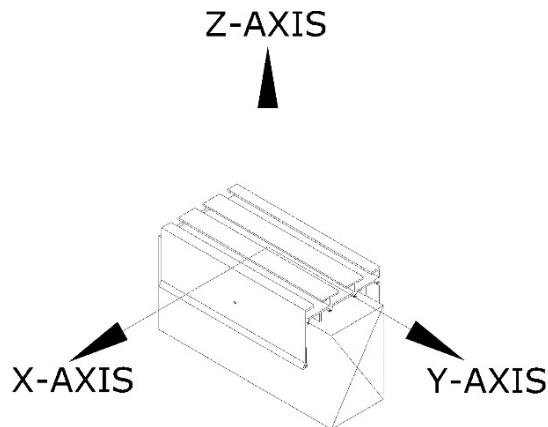
www.roofscreen.com



Capacity:

Load Direction	Ultimate Load (lbf)	Safety Factor	Service Load (lbf)
Z - Axis	4201	2.5	1680
X - Axis	3060	2.5	1224
Y - Axis	4085	2.5	1634

Loads are result of tensile and shear strength testing provided by WESTPAK, INC. *Report No. 116-14-2966A, R1*



Warranty:

20-year limited warranty is included. Products must be installed in strict accordance with all details, calculations and instructions provided by RoofScreen.