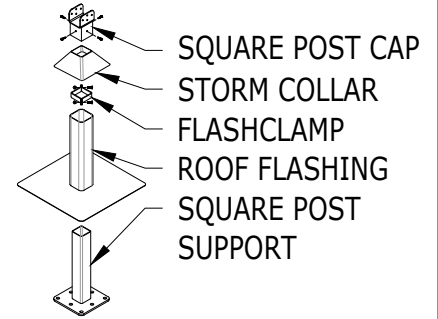


ROOFSCREEN MFG., INC.
347 CORAL STREET
SANTA CRUZ, CA 95060

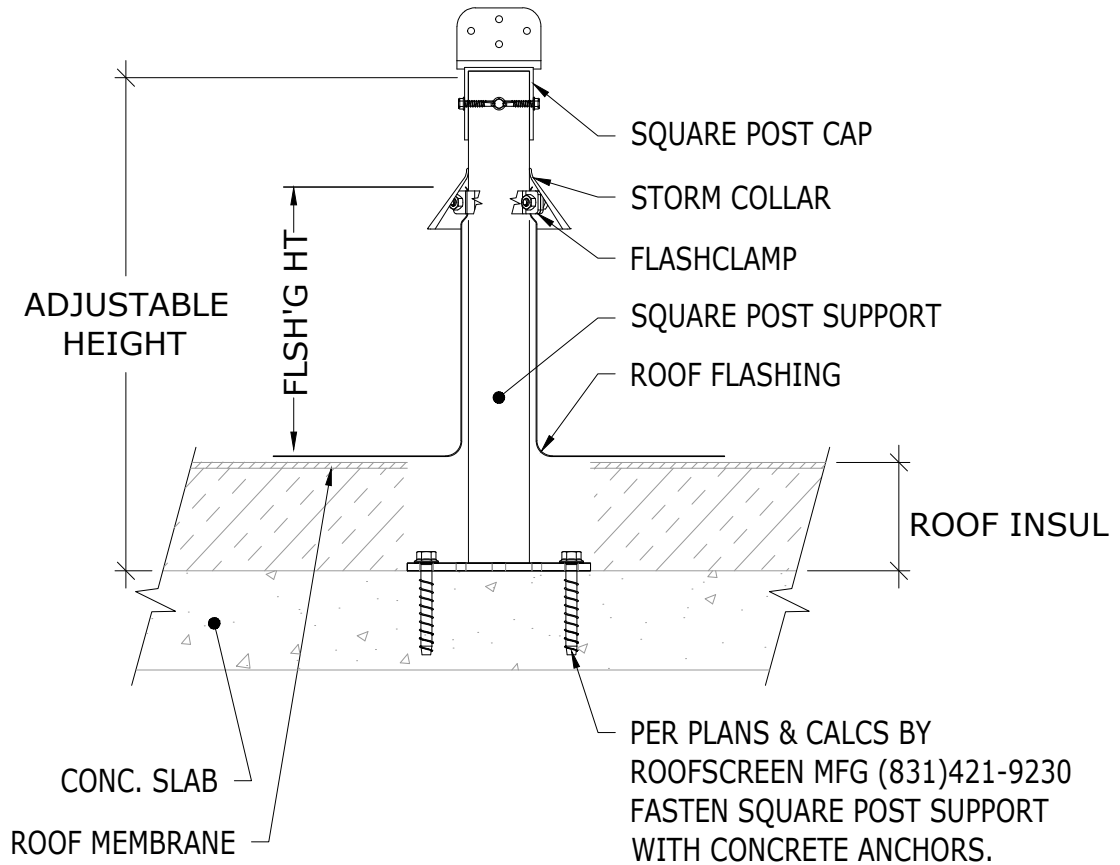
PRINT DATE: 01/27/2023

REV. DATE: 01/27/2023

SCALE: NTS



EXPLODED VIEW



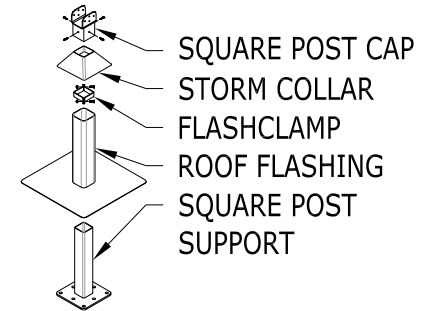
**STRUCTURAL CONCRETE
CONCRETE ANCHORS - WITH INSULATION**

ROOFSCREEN MFG., INC.
347 CORAL STREET
SANTA CRUZ, CA 95060

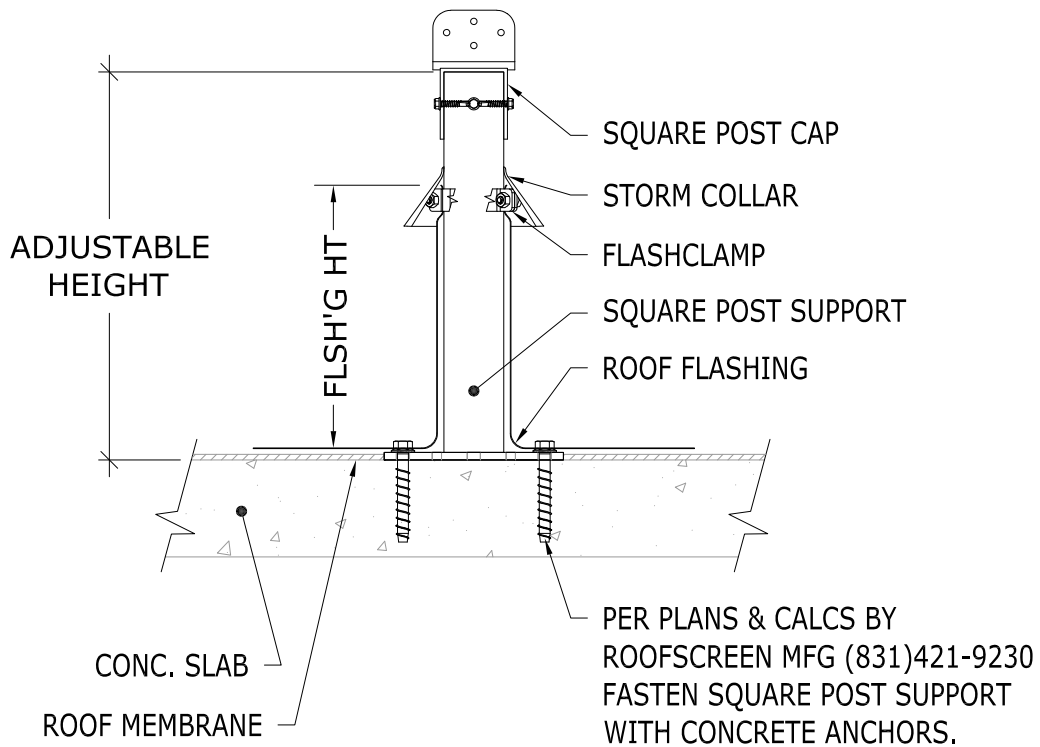
PRINT DATE: 01/27/2023

REV. DATE: 01/27/2023

SCALE: NTS



EXPLODED VIEW



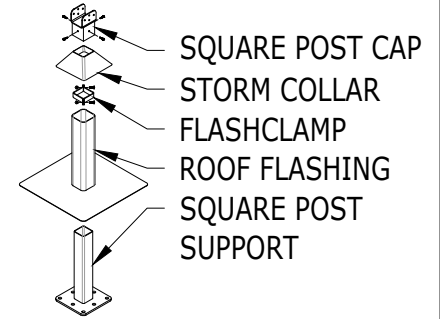
STRUCTURAL CONCRETE
CONCRETE ANCHORS - NO INSULATION

ROOFSCREEN MFG., INC.
347 CORAL STREET
SANTA CRUZ, CA 95060

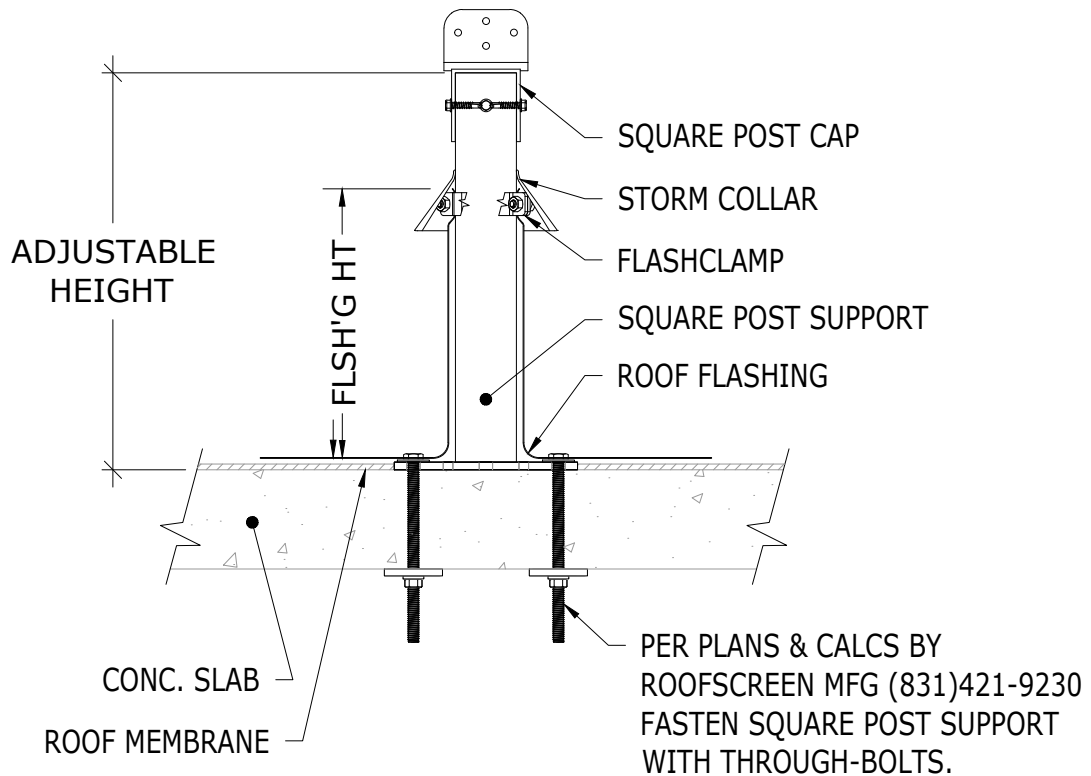
PRINT DATE: 01/27/2023

REV. DATE: 01/27/2023

SCALE: NTS



EXPLODED VIEW



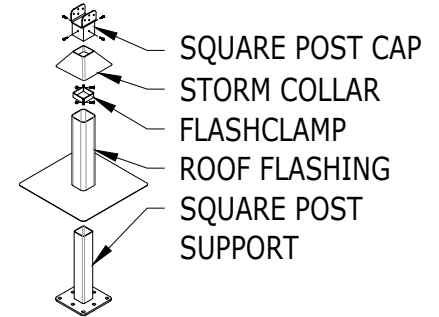
STRUCTURAL CONCRETE
THROUGH-BOLTS - NO INSULATION

ROOFSCREEN MFG., INC.
347 CORAL STREET
SANTA CRUZ, CA 95060

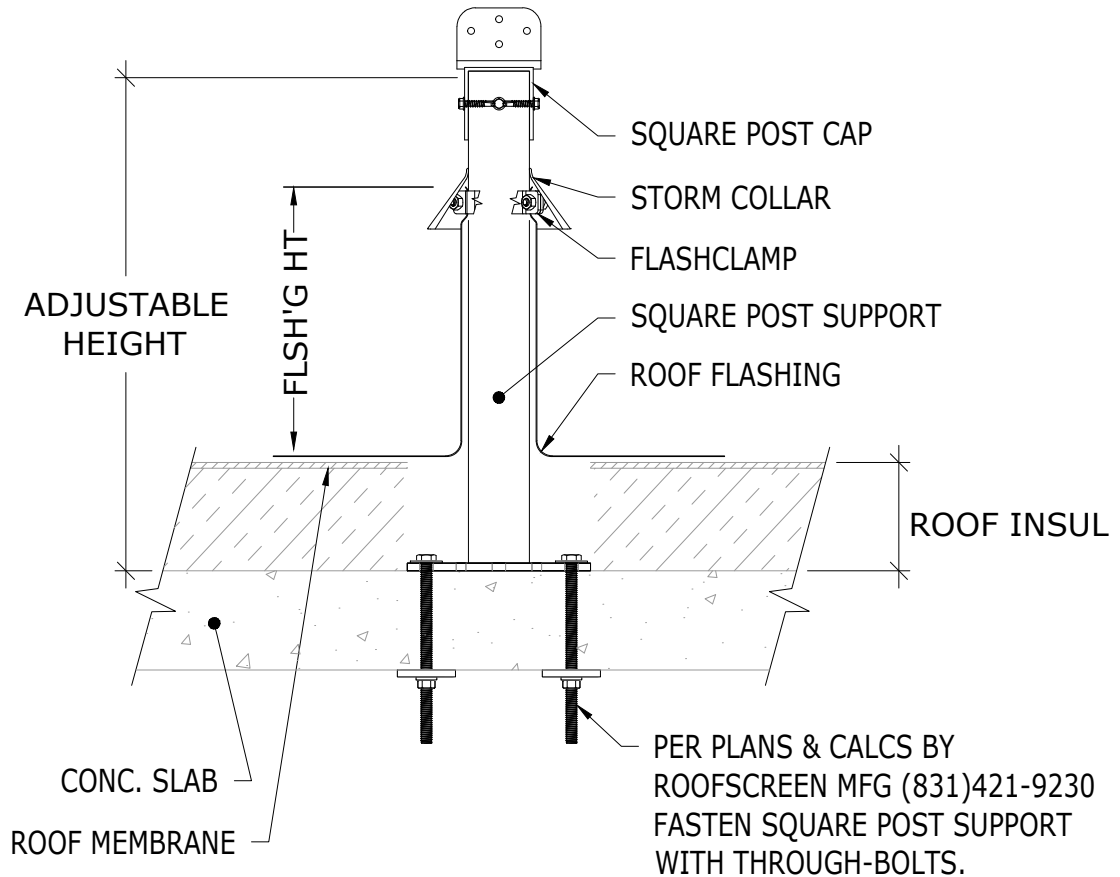
PRINT DATE: 01/27/2023

REV. DATE: 01/27/2023

SCALE: NTS



EXPLODED VIEW



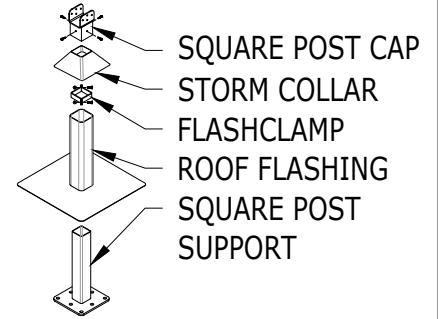
STRUCTURAL CONCRETE
THROUGH BOLTS - WITH INSULATION

ROOFSCREEN MFG., INC.
347 CORAL STREET
SANTA CRUZ, CA 95060

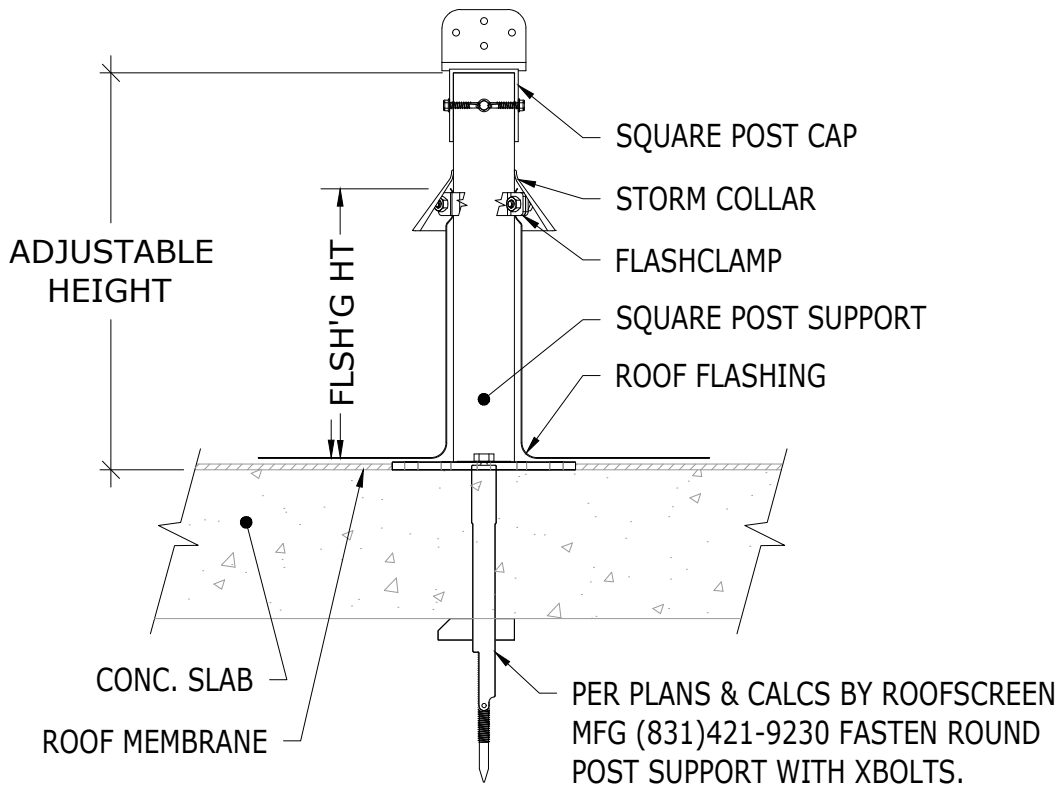
PRINT DATE: 01/27/2023

REV. DATE: 01/27/2023

SCALE: NTS



EXPLODED VIEW



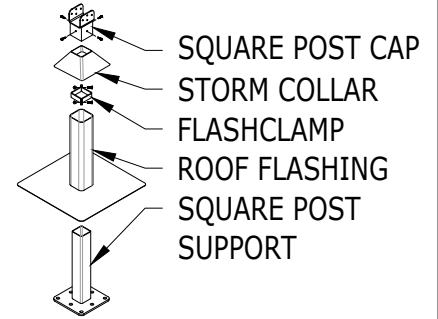
STRUCTURAL CONCRETE
XBOLTS - NO INSULATION

ROOFSCREEN MFG., INC.
347 CORAL STREET
SANTA CRUZ, CA 95060

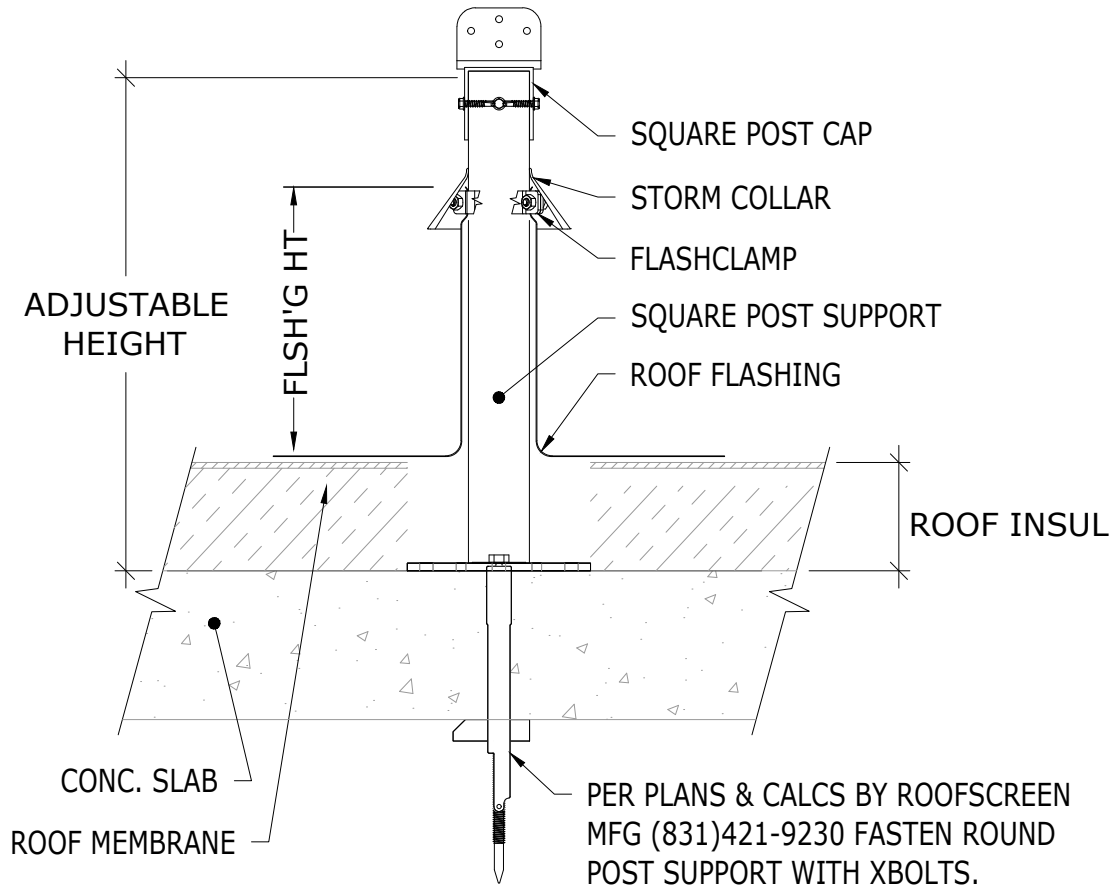
PRINT DATE: 01/27/2023

REV. DATE: 01/27/2023

SCALE: NTS



EXPLODED VIEW



STRUCTURAL CONCRETE
XBOLTS - WITH INSULATION