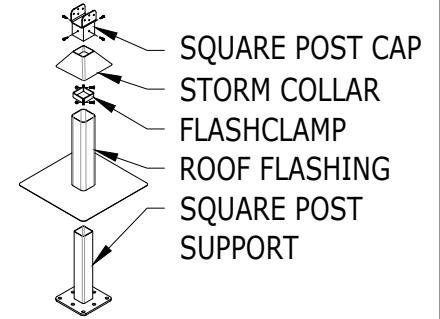


ROOFSCREEN MFG., INC.
347 CORAL STREET
SANTA CRUZ, CA 95060

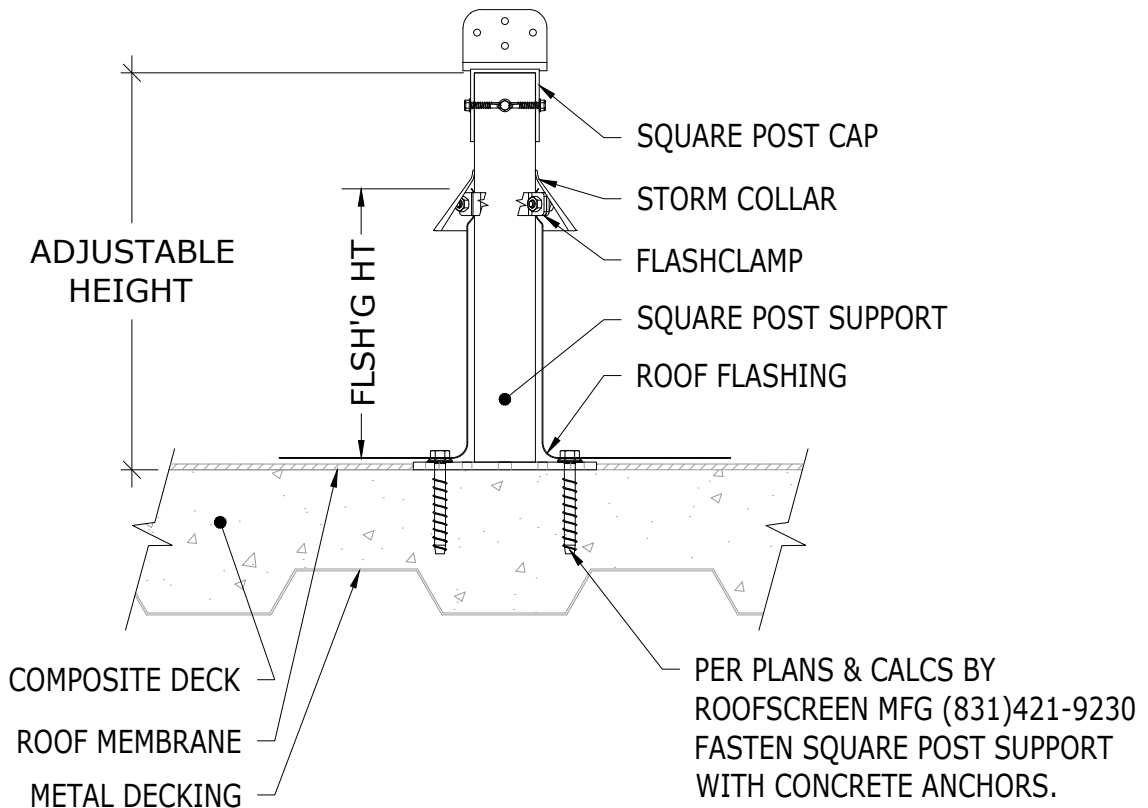
PRINT DATE: 01/27/2023

REV. DATE: 01/27/2023

SCALE: NTS



EXPLODED VIEW



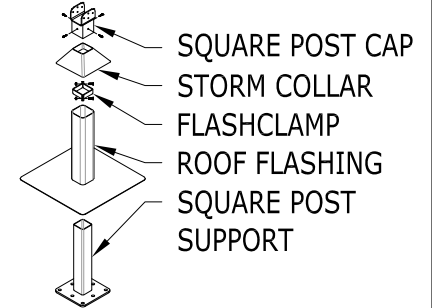
COMPOSITE (STRUCTURAL CONCRETE OVER METAL DECKING)
CONCRETE ANCHORS - NO INSULATION

ROOFSCREEN MFG., INC.
347 CORAL STREET
SANTA CRUZ, CA 95060

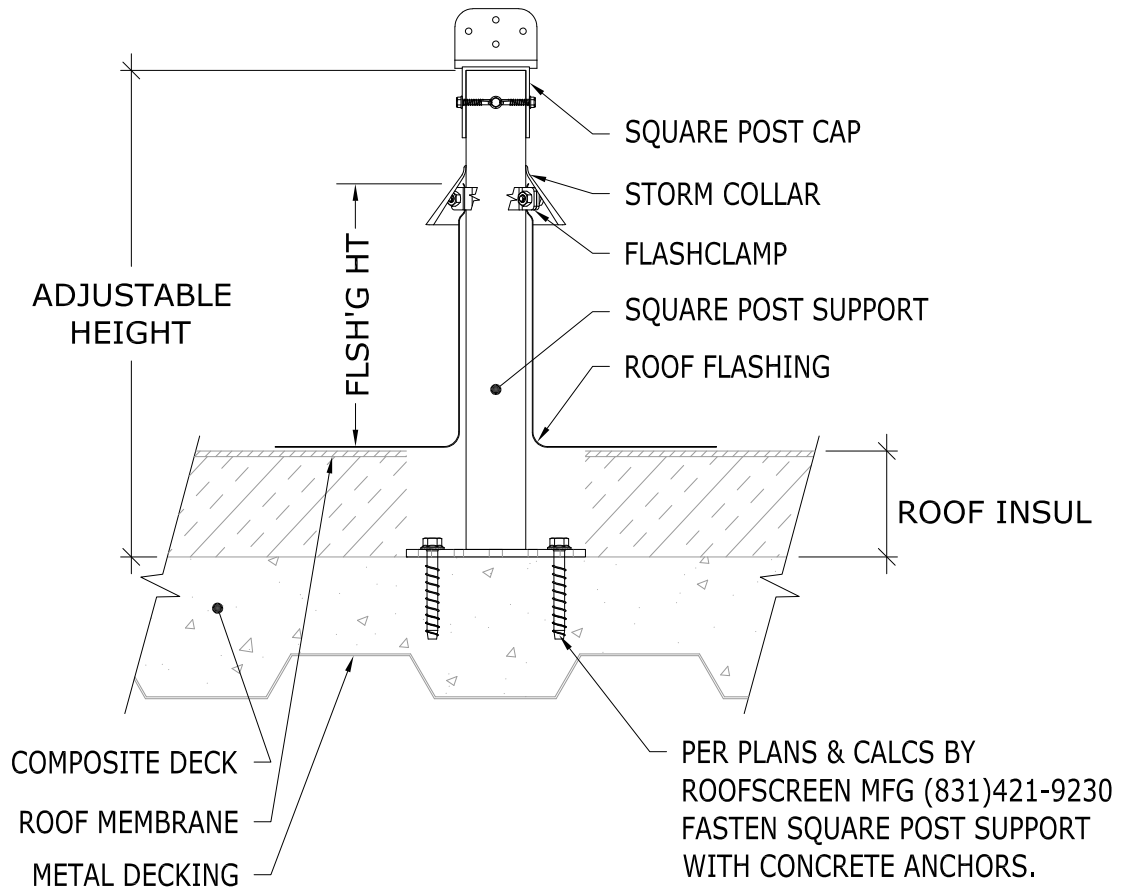
PRINT DATE: 01/27/2023

REV. DATE: 01/27/2023

SCALE: NTS



EXPLODED VIEW



COMPOSITE (STRUCTURAL CONCRETE OVER METAL DECKING)
CONCRETE ANCHORS - WITH INSULATION

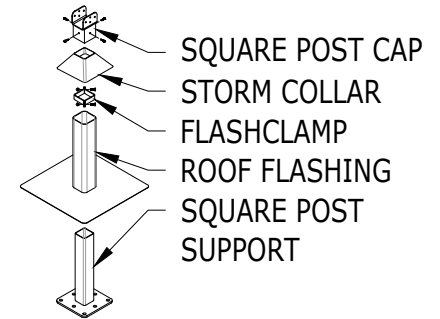
ROOFSCREEN MFG., INC.
347 CORAL STREET
SANTA CRUZ, CA 95060

PRINT DATE: 01/27/2023

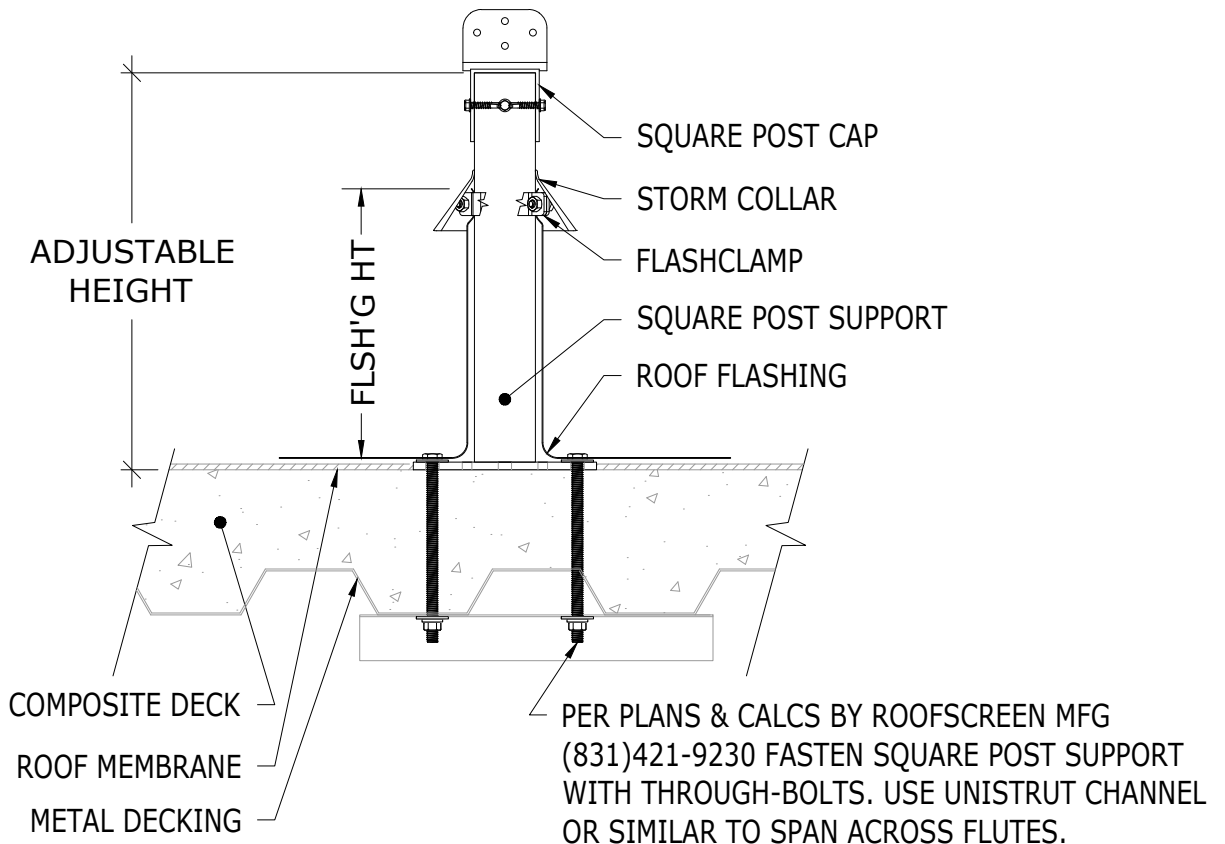
REV. DATE: 01/27/2023

SCALE:

NTS



EXPLODED VIEW



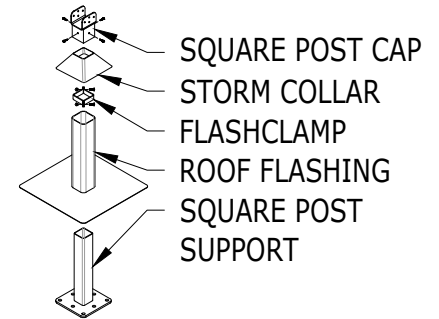
COMPOSITE (STRUCTURAL CONCRETE OVER METAL DECKING)
THROUGH-BOLTS - NO INSULATION

ROOFSCREEN MFG., INC.
347 CORAL STREET
SANTA CRUZ, CA 95060

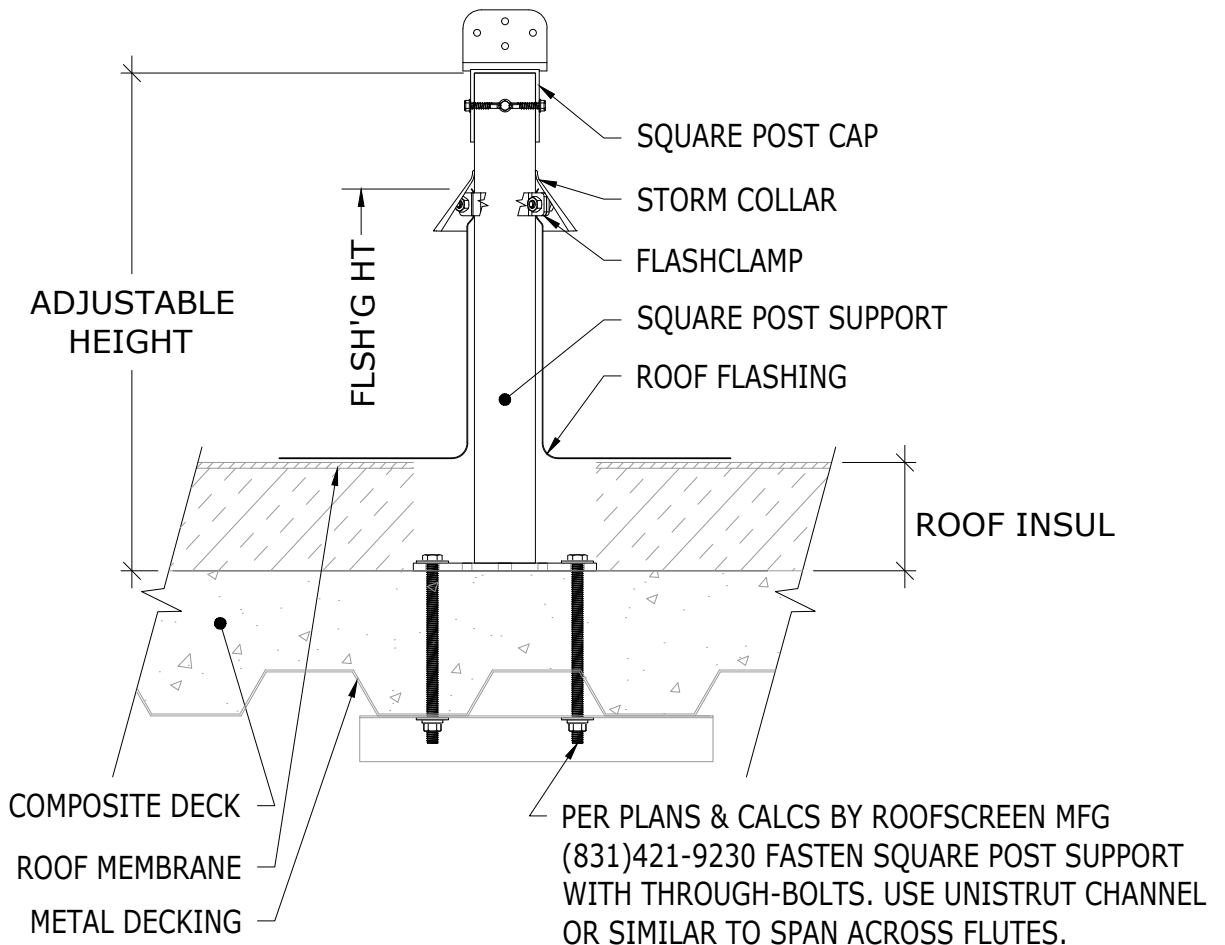
PRINT DATE: 01/27/2023

REV. DATE: 01/27/2023

SCALE: NTS



EXPLODED VIEW



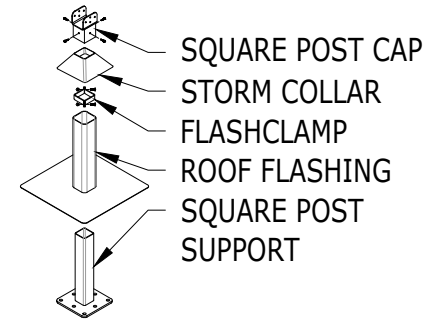
COMPOSITE (STRUCTURAL CONCRETE OVER METAL DECKING)
THROUGH-BOLTS - WITH INSULATION

ROOFSCREEN MFG., INC.
347 CORAL STREET
SANTA CRUZ, CA 95060

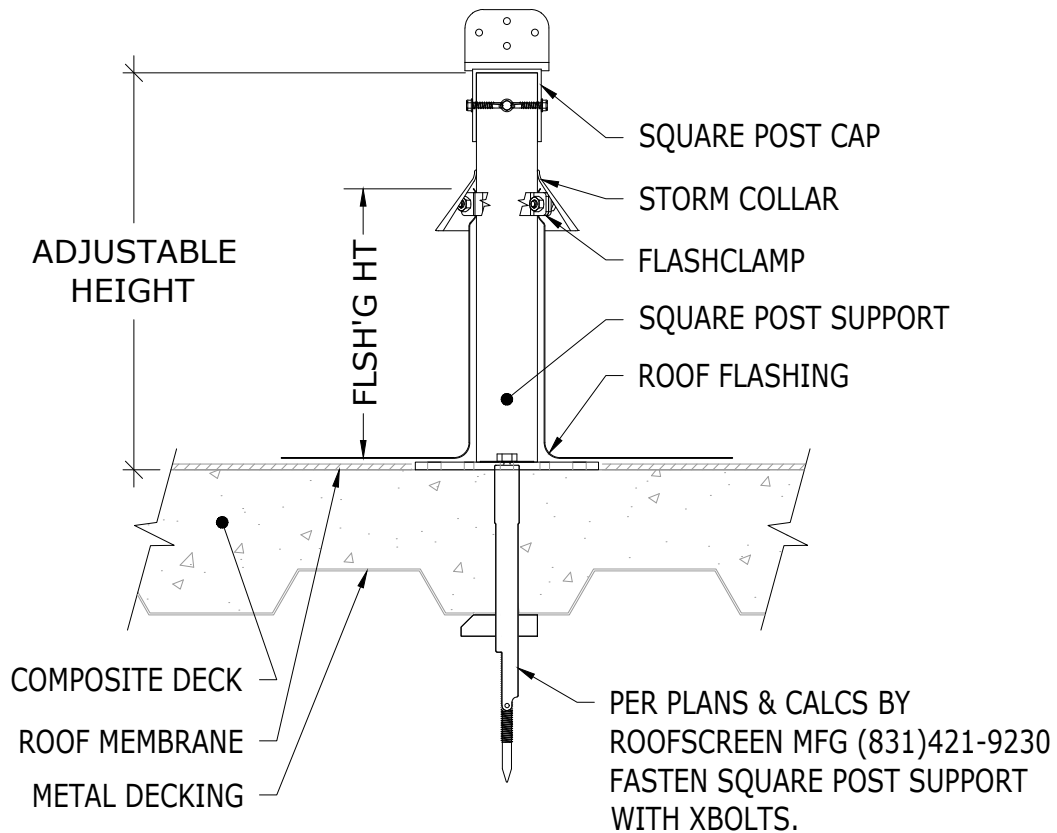
PRINT DATE: 01/27/2023

REV. DATE: 01/27/2023

SCALE: NTS



EXPLODED VIEW



COMPOSITE (STRUCTURAL CONCRETE OVER METAL DECKING)
XBOLTS - NO INSULATION

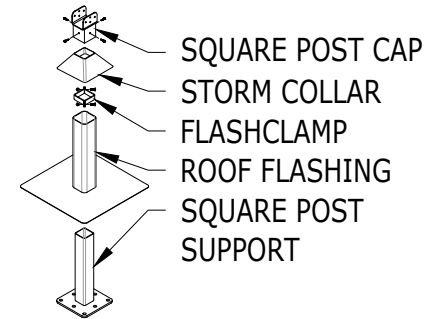
ROOFSCREEN MFG., INC.
347 CORAL STREET
SANTA CRUZ, CA 95060

PRINT DATE: 01/27/2023

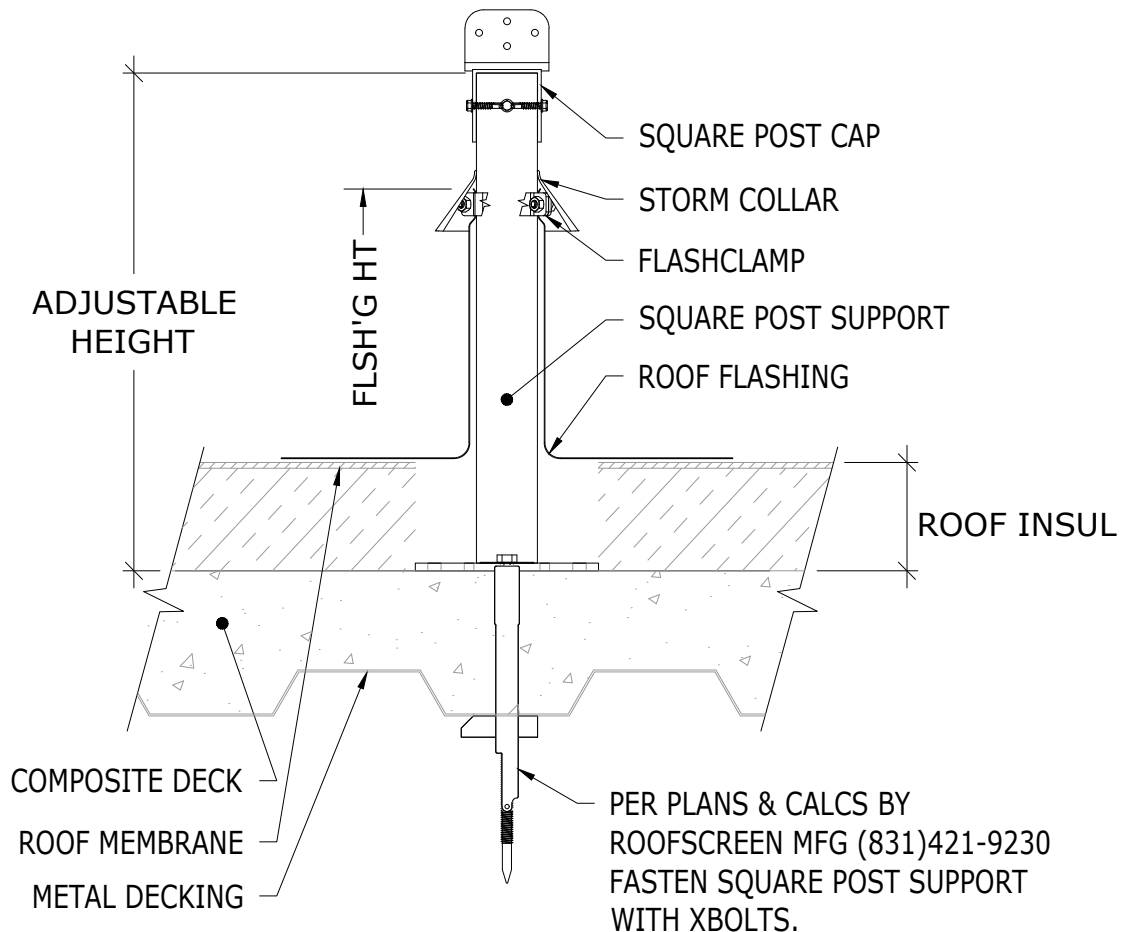
REV. DATE: 01/27/2023

SCALE:

NTS



EXPLODED VIEW



COMPOSITE (STRUCTURAL CONCRETE OVER METAL DECKING)
XBOLTS - WITH INSULATION