



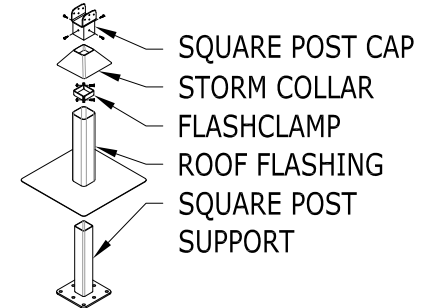
DRAWN BY: SS

ROOFSCREEN MFG., INC.  
347 CORAL STREET  
SANTA CRUZ, CA 95060

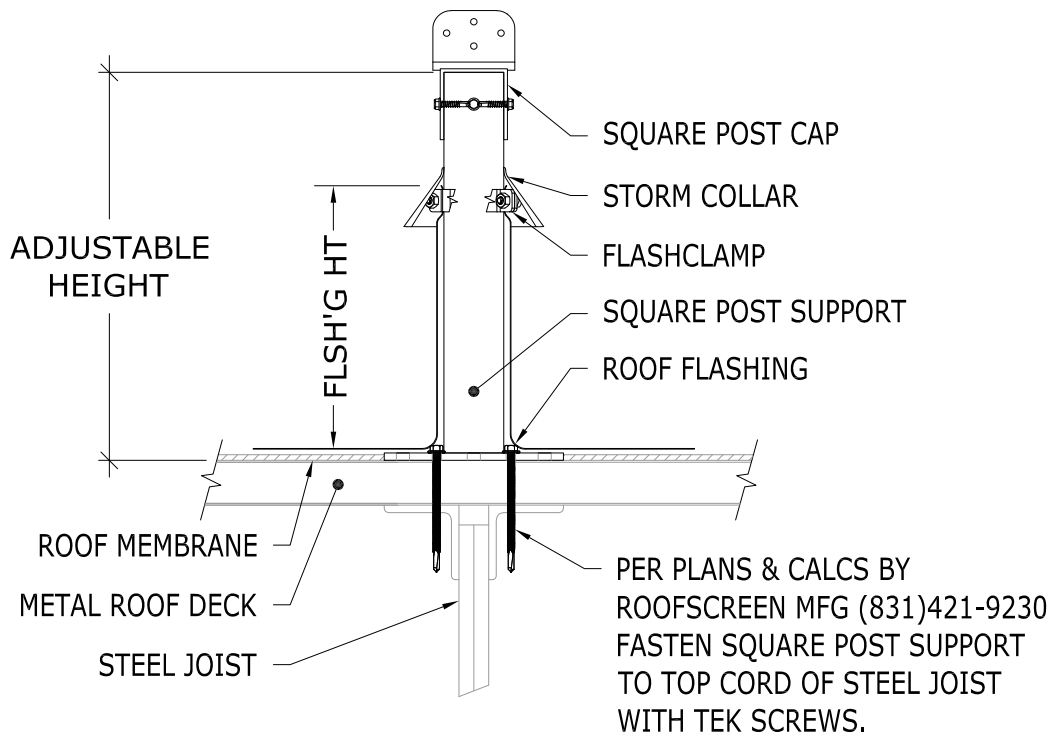
PRINT DATE: 01/27/2023

REV. DATE: 01/27/2023

SCALE: NTS



EXPLODED VIEW



METAL DECKING OVER OPEN WEB STEEL JOIST  
TEK SCREW ATTACH - NO INSULATION

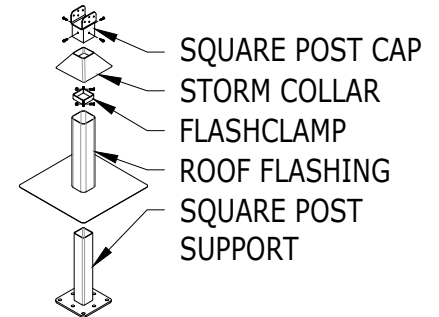
ROOFSCREEN MFG., INC.  
347 CORAL STREET  
SANTA CRUZ, CA 95060

PRINT DATE: 01/27/2023

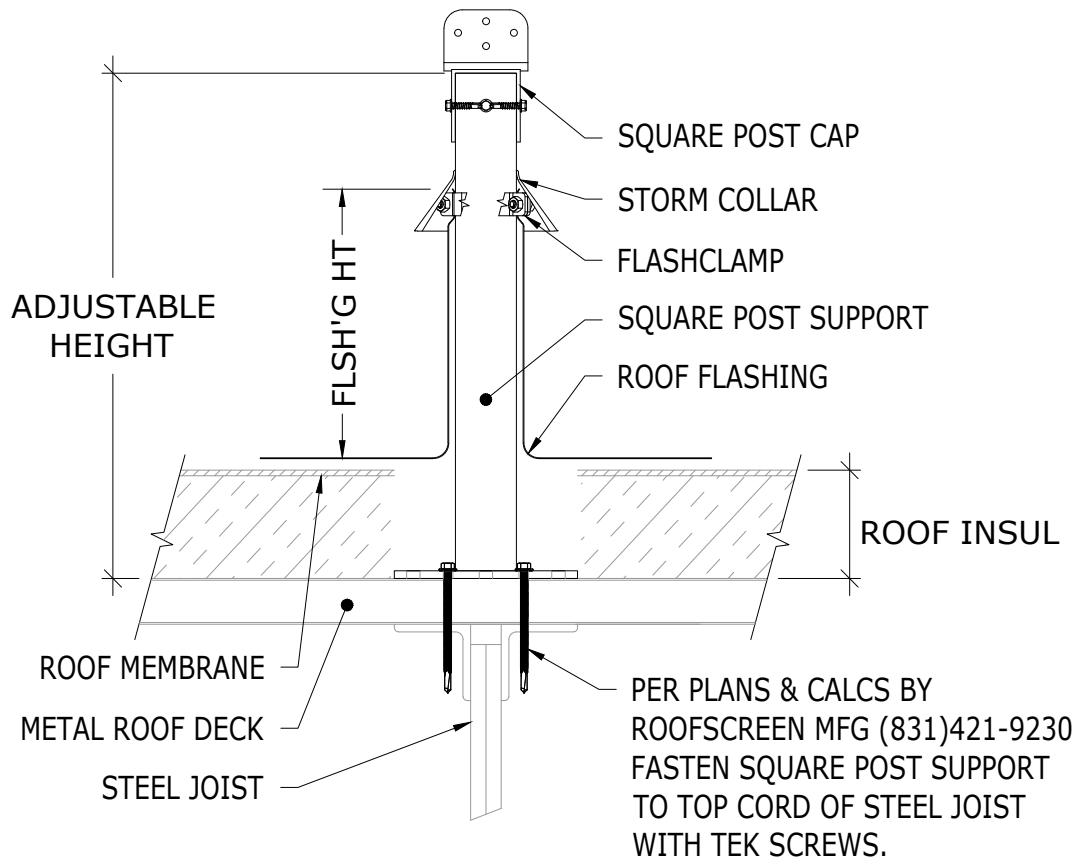
REV. DATE: 01/27/2023

SCALE:

NTS



EXPLODED VIEW



METAL DECKING OVER OPEN WEB STEEL JOIST  
TEK SCREW ATTACH - WITH INSULATION

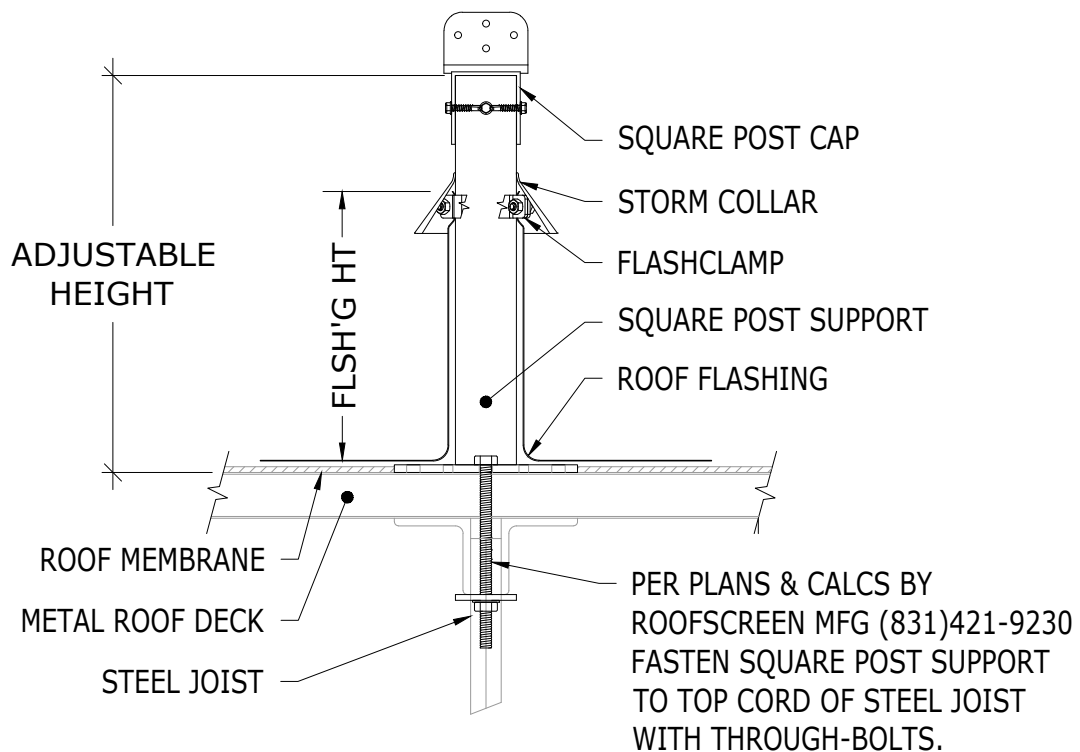
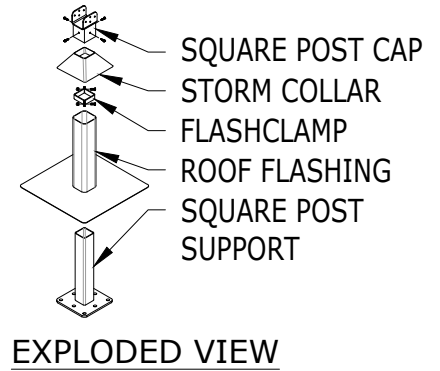
ROOFSCREEN MFG., INC.  
347 CORAL STREET  
SANTA CRUZ, CA 95060

PRINT DATE: 01/27/2023

REV. DATE: 01/27/2023

SCALE:

NTS



METAL DECKING OVER OPEN WEB STEEL JOIST  
THROUGH-BOLT ATTACH - NO INSULATION

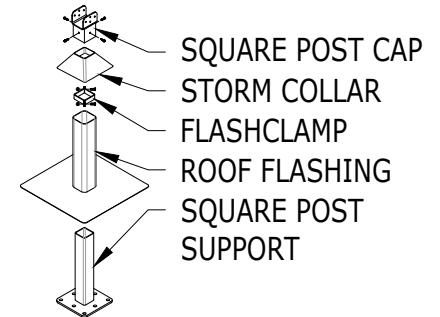
ROOFSCREEN MFG., INC.  
347 CORAL STREET  
SANTA CRUZ, CA 95060

PRINT DATE: 01/27/2023

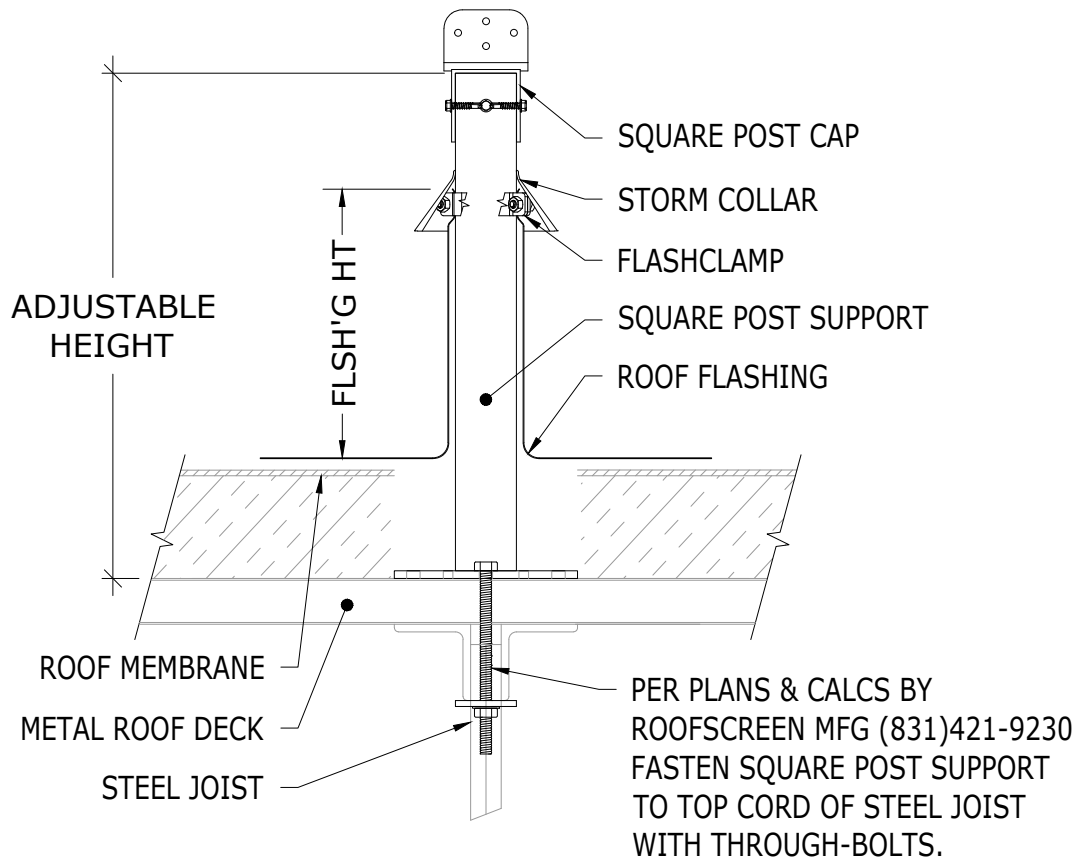
REV. DATE: 01/27/2023

SCALE:

NTS



EXPLODED VIEW



METAL DECKING OVER OPEN WEB STEEL JOIST  
THROUGH-BOLT SCREW ATTACH - WITH INSULATION