



**Equipment Screens + Products for Commercial Rooftops**



## What We Do

We design and manufacture equipment screens, decorative metal, solar racks and other products for commercial roofs that just work better. We came from the construction and roofing industries, so you'll benefit directly from the practical, hands-on experience baked in to our designs. And we place a special emphasis on waterproofing; we're sticklers for that.

# Table of Contents

**04**

**ROOFSCREEN® SYSTEM**

Engineered Equipment Screens

**06**

**PANEL OPTIONS**

Colors + Styles for Facings

**08**

**SOUNDGUARD®**

Acoustical Panel Systems

**10**

**VISIONGUARD®**

Architectural Aluminum Louvers

**12**

**GEOMETAL™**

Decorative Panels

**16**

**SILVERBACK SOLAR®**

Engineered Solar Racking

**18**

**DRYSTAND®**

Structural Supports + Platforms

**20**

**DRYCAP®**

Watertight Sleeper Covers

**22**

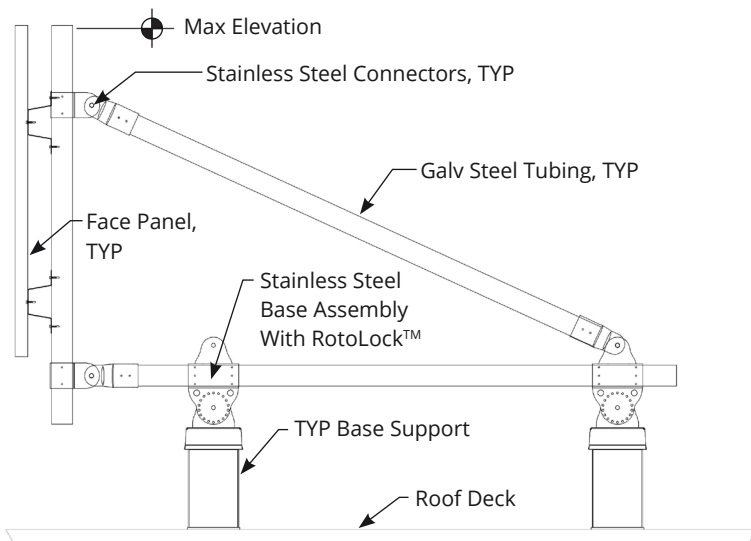
**SERVICES**

Engineering, CAD + More



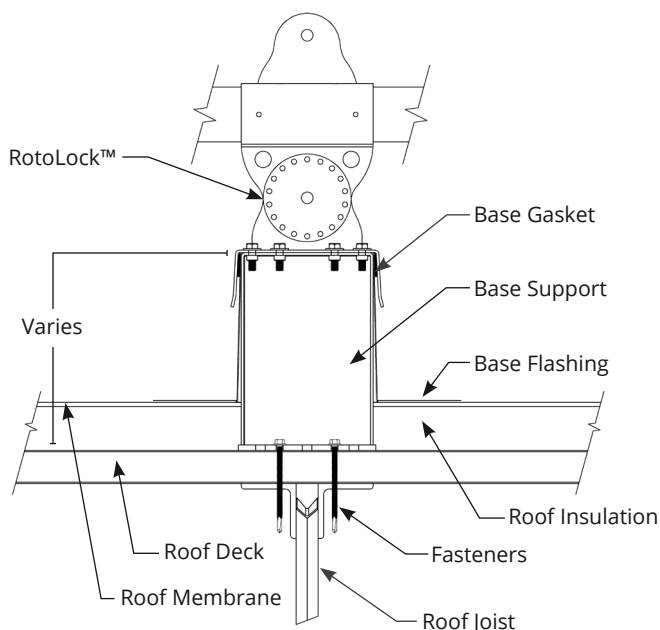
# RoofScreen® System

You don't need to design an equipment screen.  
We already did that.



## ROOF ATTACHMENTS YOU CAN TRUST

With the adjustable RotoLock™ feature, integral flashing design and a proven track record, you can have peace of mind using our attachment systems.



## ENGINEERED

Full site-specific engineering and shop drawings, with engineer's stamp for any state.



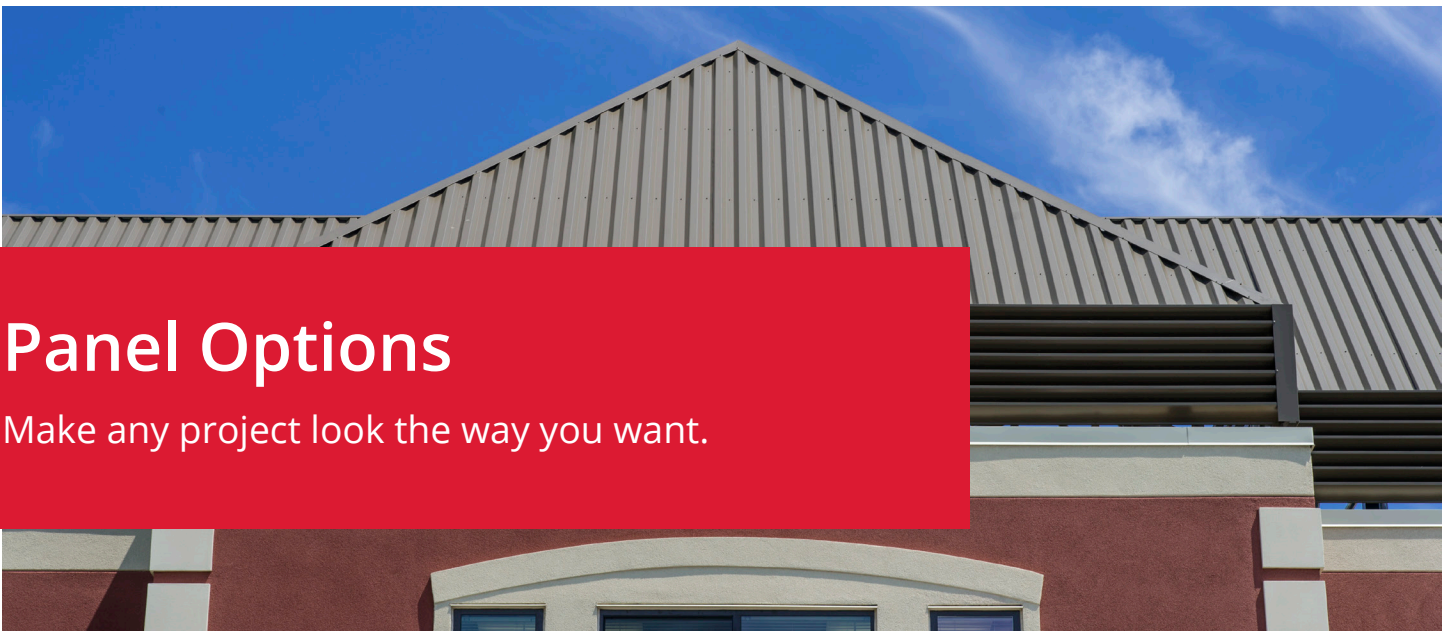
## WATERTIGHT

Our brilliantly designed attachments will work with any type of roofing system and will never leak.



## WARRANTY

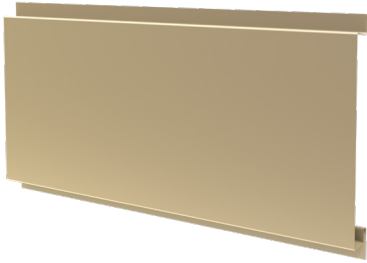
Rest easy knowing you're covered by a 20-year warranty. We don't fool around.



# Panel Options

Make any project look the way you want.

The RoofScreen® System's design is flexible. Choose one of our standard panels, or spec any material you want to make your project look stunning.



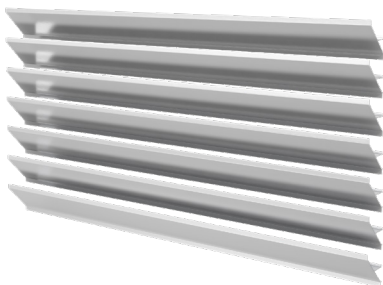
## **FLAT PANELS**

An excellent choice when the desired effect is to blend with other flat surfaces in the building's architecture. Available in plain, textured and perforated finishes.



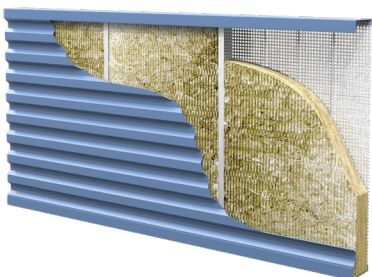
## **RIBBED PANELS**

Economical and very strong with good spanning capability. Available in many styles including perforated and can be oriented vertically or horizontally.



## **ALUMINUM LOUVERS**

Louvers provide dramatic visual appeal and can transform an otherwise plain looking building. Available in 3 attractive designs and unlimited colors.



## **ACOUSTICAL PANELS**

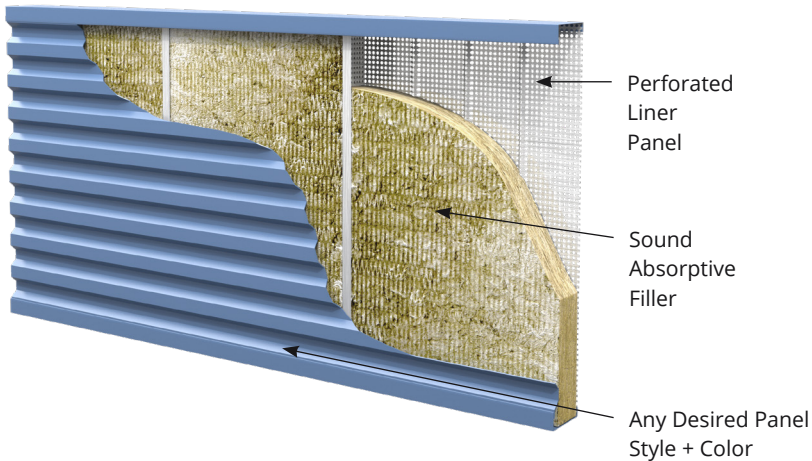
Our sound-deadening panel assembly is perfect for noisy rooftop equipment. The face panels can be any style, color and material desired.



# SoundGuard®

Noisy rooftop equipment? Shut 'em up with our sound-deadening panels.





## SOUNDGUARD® PANELS

The SoundGuard® Acoustical Panel System is a 4" thick sound-attenuating barrier assembly designed for aesthetics as well as noise control. The outward facing panels of the system can be any desired material.



## QUIET

SoundGuard® Panels will silence even the noisiest equipment and greatly improve the surrounding environment. Testing results show impressive levels of 1.15 NRC and 38 STC.



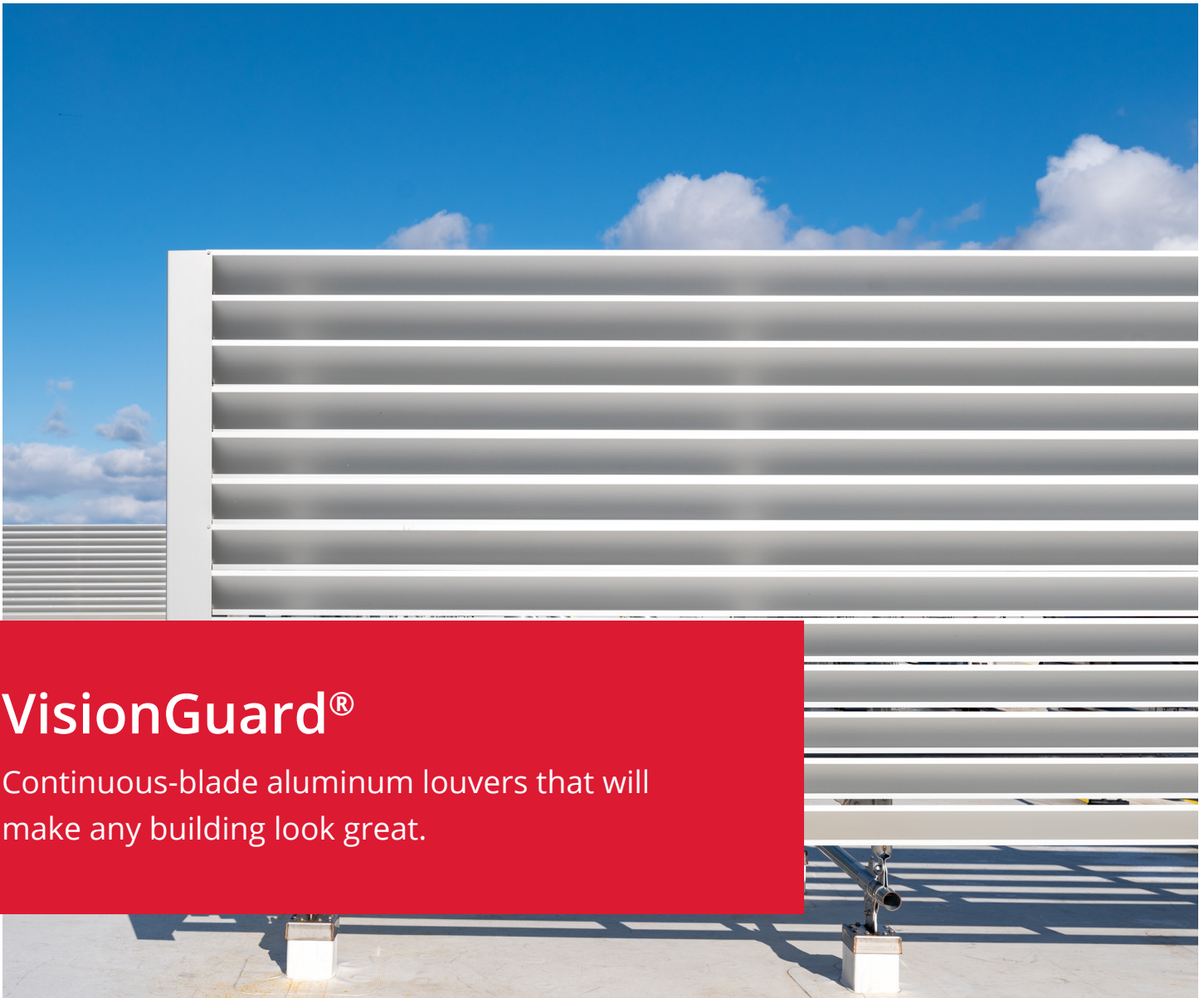
## VERSATILE

Design allows complete flexibility during installation for height, length, corners, etc. Use on RoofScreen® framing or any other supports or substrates.



## ATTRACTIVE

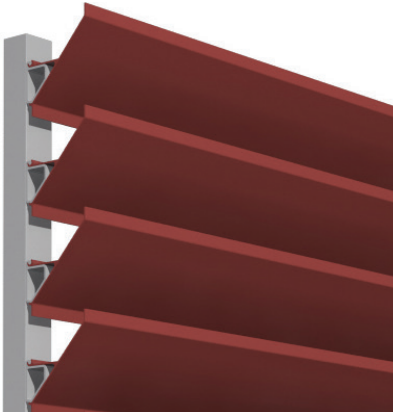
Aesthetics are important, so we designed SoundGuard® to work with unlimited choices for styles, colors and materials to be used as the face panels.



# VisionGuard®

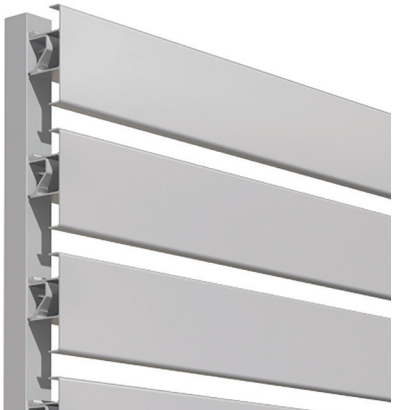
Continuous-blade aluminum louvers that will make any building look great.

VisionGuard® Louvers are very strong with excellent spanning capabilities and can be mounted to RoofScreen® framing or any other supports or substrates.



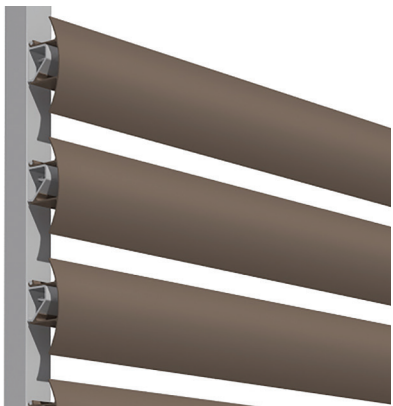
## **ANGLED LOUVER L10**

Our VisionGuard® Angled Louver incorporates a 45° continuous-blade profile. It is perfect for use in architectural and vision-proofing applications where a traditional angled louver aesthetic is desired.



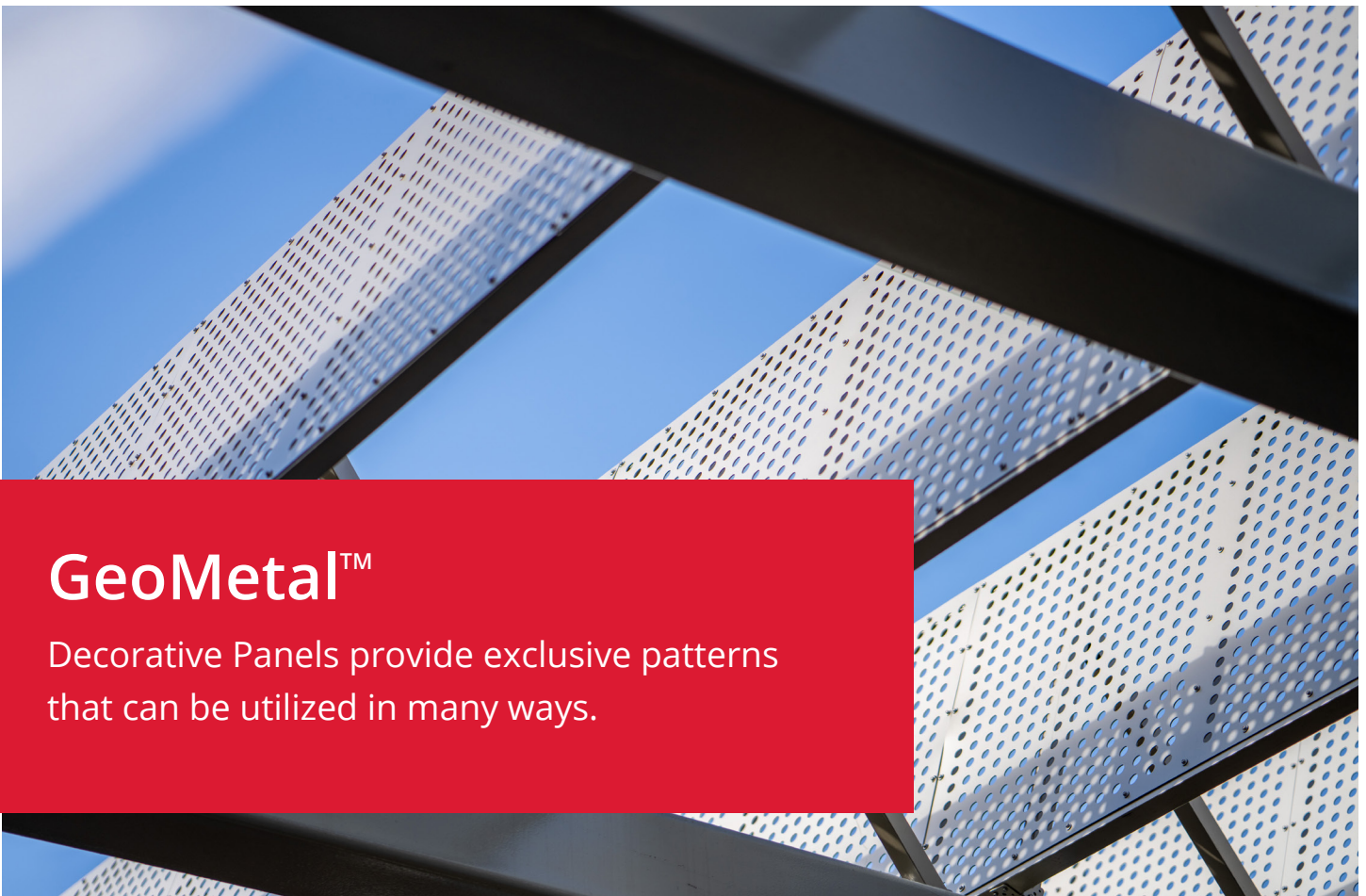
## **SLATTED LOUVER L20**

For projects where a slatted or lattice style effect is desired, the VisionGuard® Slatted Louver System is ideal. The blades are 5.5" wide and the gap between blades can be specified to any distance desired.



## **CURVED LOUVER L30**

VisionGuard® Curved Louvers are similar to the Slatted version but the face of each blade is curved to provide a more decorative style. Spacing between blades can be adjusted to any distance.



# GeoMetal™

Decorative Panels provide exclusive patterns that can be utilized in many ways.



## GEOMETAL™

From equipment screen cladding to ornate facades, these custom engineered architectural panels can add an intricate blend of artistry and refinement to any project.

## AN ARRAY OF FINISHES

We offer both AAMA 2604 and AAMA 2605 coating options to suit a wide range of applications.

Whether you are looking for a finish that will hold up in South Florida, or are using GeoMetal™ indoors, our color offerings are sure to meet your project specifications.



### REFINED

Laser-cut to precise specifications. Finished meticulously. Powder coated with care. Every panel is a work of art.



### VERSATILE

These panels aren't just for equipment screens. Use them to create a façade or shade structure; as stairwell siding, or as decorative vision barriers.



### CUSTOMIZABLE

Have a specific design in mind?

We'd love to team up!

We'll work alongside you to develop patterns unique to your project.

## AVAILABLE PANEL SIZES

- 20 Standard sizes ranging from 2.5' x 4' to 5' x 10'.
- Any custom size up to 5' x 10'.

## AVAILABLE MATERIALS

- Aluminum (Painted)
- Stainless Steel (2B)
- Weathering Steel (Raw)

## ATTACHMENT OPTIONS

GeoMetal™ is designed to attach directly to our Square Girt support framing or to existing framing using our color-matched Standard or Tamperproof fastener options.

Have a more complex situation? We offer bracketed attachment options and do custom attachment work on a per-project basis.



### EBB

Percent Open: 40%\*



### SUDS

Percent Open: 27%

\*Available as continuous pattern



## ARRAY

Percent Open: 14%\*



## CARTWHEEL

Percent Open: 16%



## ENTWINE

Percent Open: 11%



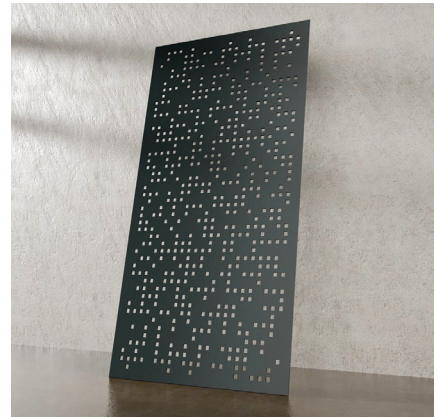
## FRACTURE

Percent Open: 36%



## ORBIT

Percent Open: 16%



## PIXEL

Percent Open: 13%



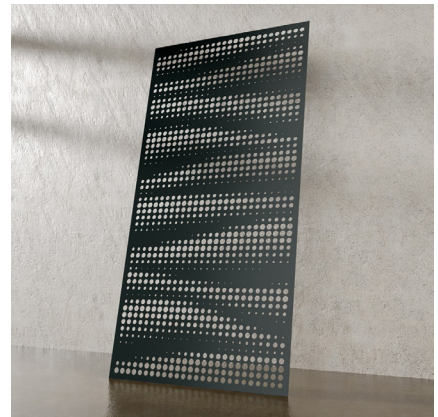
## STRATA

Percent Open: 31%



## SYNTHESIS

Percent Open: 7%



## WAVE

Percent Open: 24%\*



# Silverback Solar®

Engineered solar mounting systems by people who understand structures and waterproofing.





## AS STRONG AS A SILVERBACK

With Silverback Solar®, you're not just getting a serious heavy-duty PV racking system, you're getting a team of experts who understand roofing and construction. The biggest barriers to solar density on a rooftop are limitations of the roof structure, and cluttered rooftop equipment. With our structural expertise and robust racking designs, we can solve problems others can't, resulting in higher PV density per square foot of roof.



## ENGINEERED

Full site-specific engineering and shop drawings, with engineer's stamp for any state.



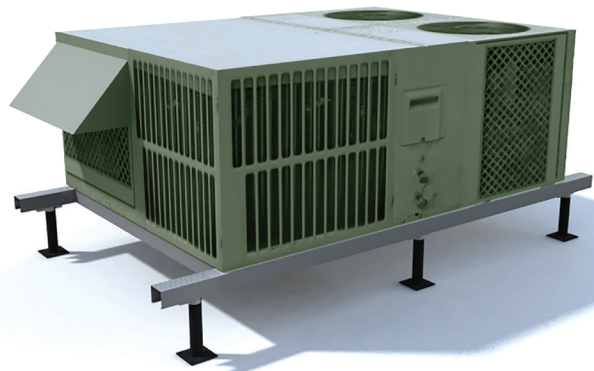
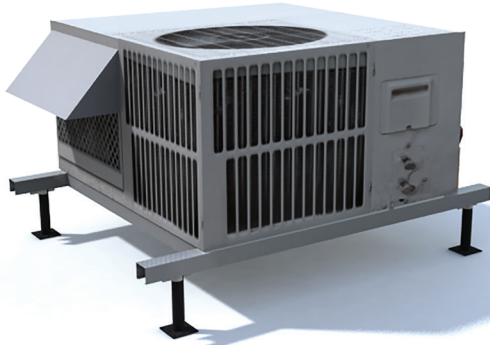
## WATERTIGHT

Our brilliantly designed attachments will work with any type of roofing system and will never leak.



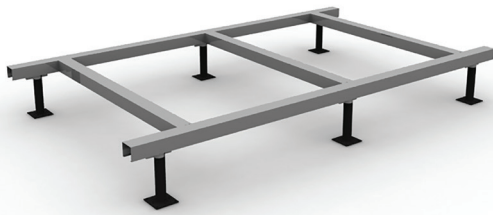
## WARRANTY

Rest easy knowing you're covered by a 20-year warranty. We don't fool around.



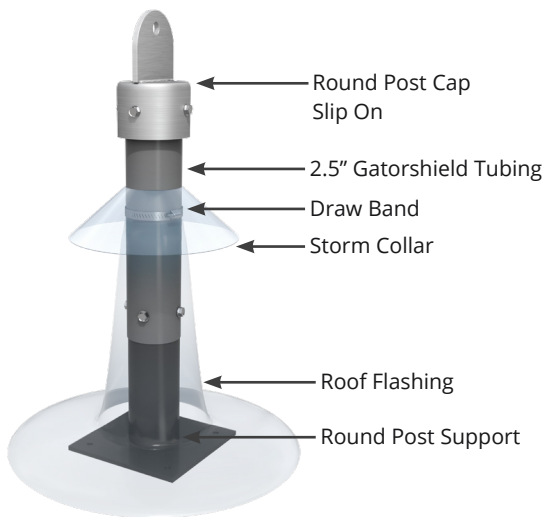
## DryStand® Supports + Platforms

Safely mount anything on a commercial roof.



## DRYSTAND® SYSTEM

DryStand® is a universal, structural platform system designed for use on commercial rooftops. It attaches to the roof structure with easy-to-flash round posts, and allows unlimited adjustment for length, width and height.



## WATERTIGHT ATTACHMENTS

At RoofScreen® we tend to put extra emphasis on waterproofing. Everything we make has rock-solid roofing details that meet or exceed the industry's best practices, and the DryStand® attachments are no different.



## ENGINEERED

Real engineering including wind and seismic calculations. Can be customized for any configuration and stamped for any state upon request.



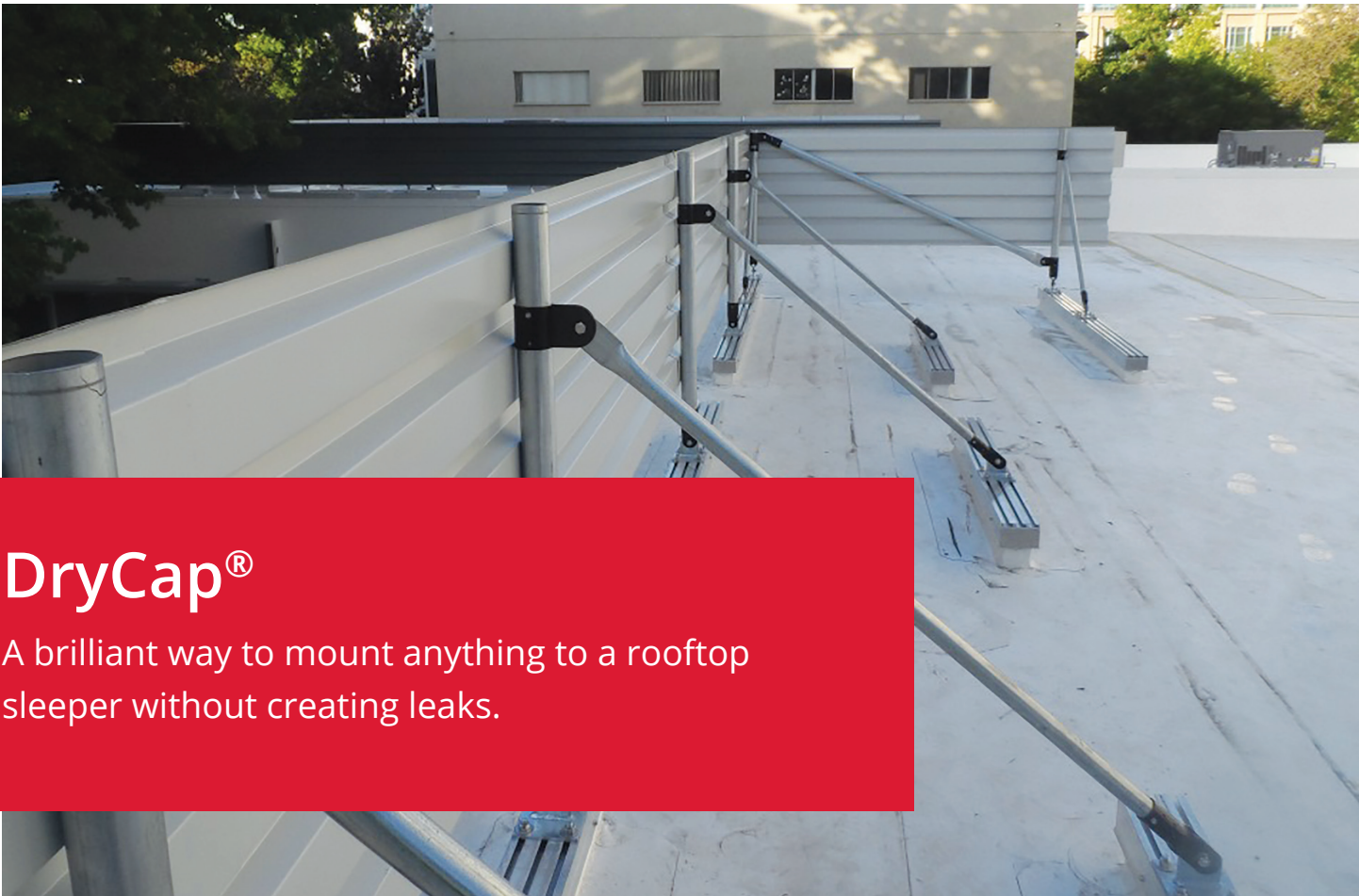
## WATERTIGHT

Our brilliantly designed attachments will work with any type of roofing system and will never leak.



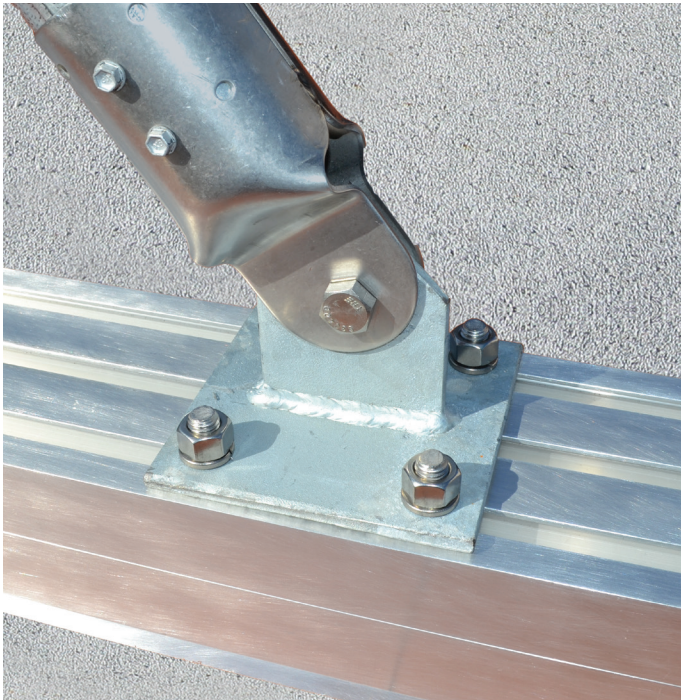
## STRONG

Super strong steel construction. Pre-engineered configurations capable of holding up to 6,600 lbs.



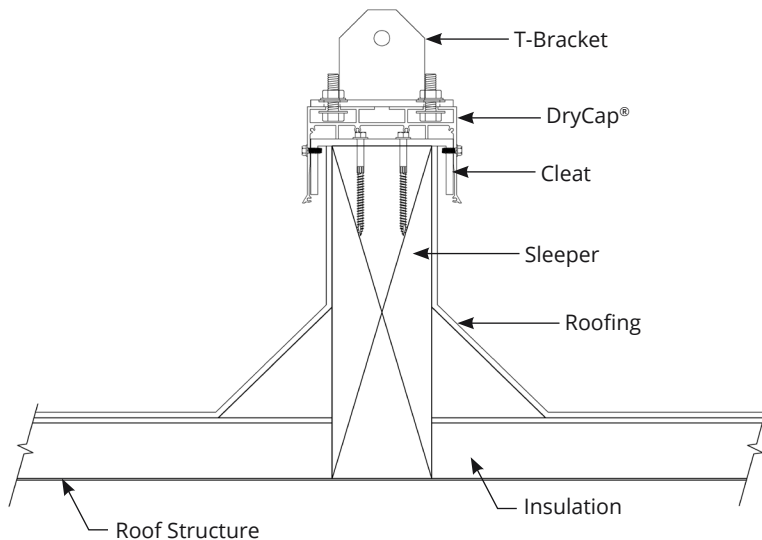
# DryCap®

A brilliant way to mount anything to a rooftop sleeper without creating leaks.



## DRYCAP® SLEEPER CAP SYSTEM

DryCap® is a watertight, structural sleeper cap system designed to cover wood or steel sleepers and curb rails on commercial roofs. Equipment can be mounted and attached to the T-slots on the DryCap® without penetrating the watertight barrier.



### EASY TO INSTALL

Mounts in just a few minutes with only a drill/driver. Order to exact lengths or field modify to fit.



### WATERTIGHT

Solves the problem of fasteners causing leaks in traditional sheet metal sleeper caps.



### STRONG

Capable of withstanding thousands of pounds of load in any direction.



## **ENGINEERING**

Breeze through submittals and permitting fast with our full, site-specific calculations and shop drawings, stamped for any state.



## **DESIGN HELP**

Our in-house engineers are ready to assist you with even the most challenging project. Get it properly designed, specified and out to bid fast.



## **SPECS + CAD**

Download the Specs and CAD drawings you need right from our website, or give our design team a call. We're happy to help.

# Services

Ways we help your project succeed.



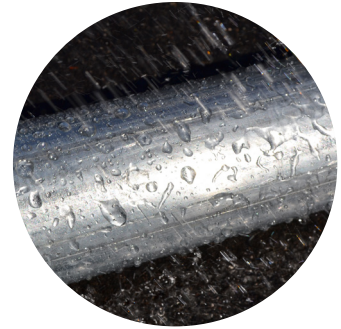
## INSTALLATION

Step-by-step illustrated guides make installation fast and easy. In California, we can even provide full installation if desired.



## DESIGN IDEAS

Use your imagination and our expertise to build just about anything. Custom screens, façades, sign structures, rooftop platforms, telecom equipment, etc.



## WARRANTY

We use high-quality materials like stainless steel, triple-coat galvanization and FEVE powder coat finishes, all backed up with a 20-year limited year warranty.

## OUR FOCUS

We don't just make products, we solve problems. Our whole focus is on how we can help you, the customer, with your individual and unique needs.

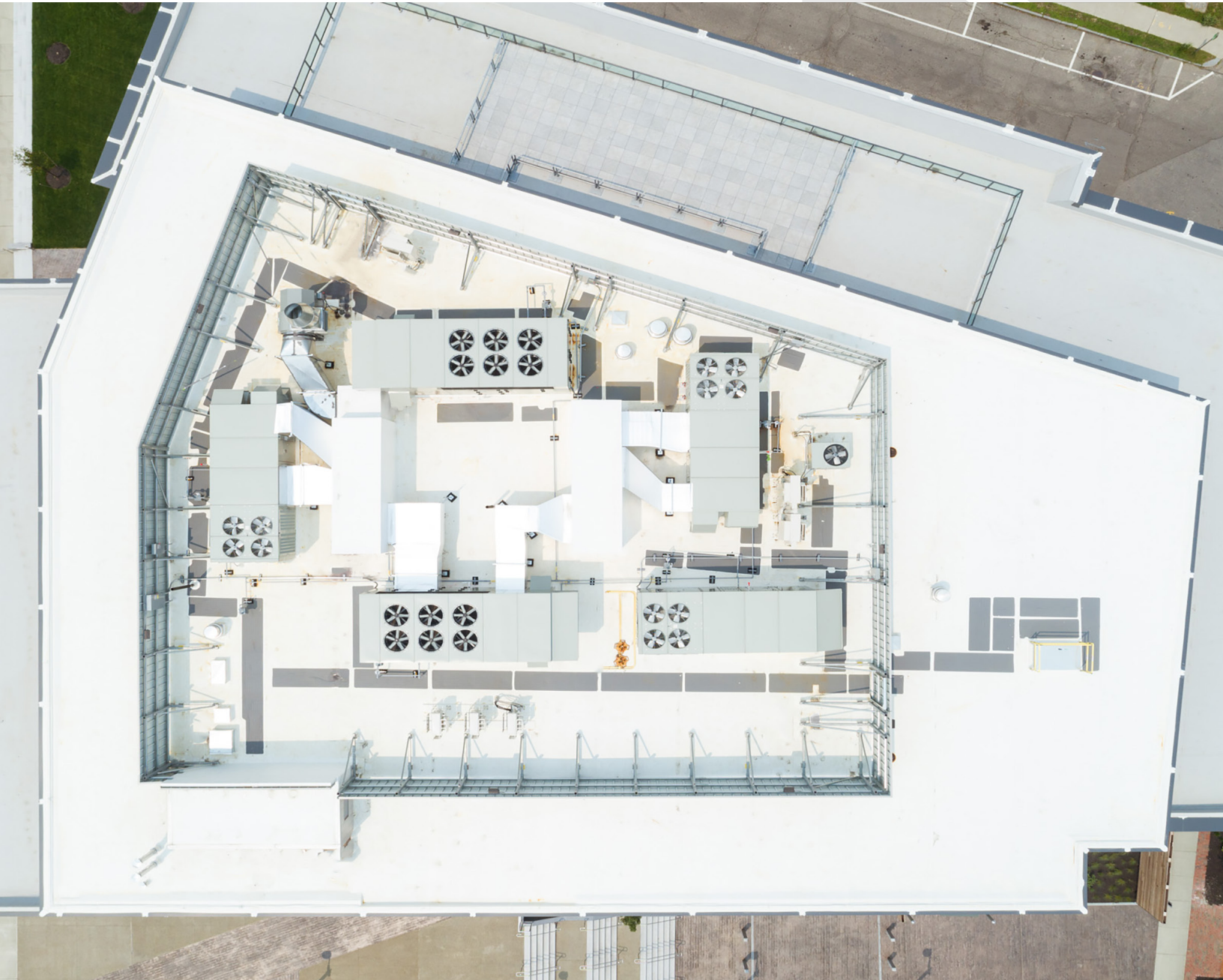
It's About You:

Designers.

Builders.

Owners.

# RoofScreen



RoofScreen.com • 347 Coral Street • Santa Cruz, CA 95060 • T: (831) 421-9230

©2025 RoofScreen Manufacturing. All Rights Reserved.

